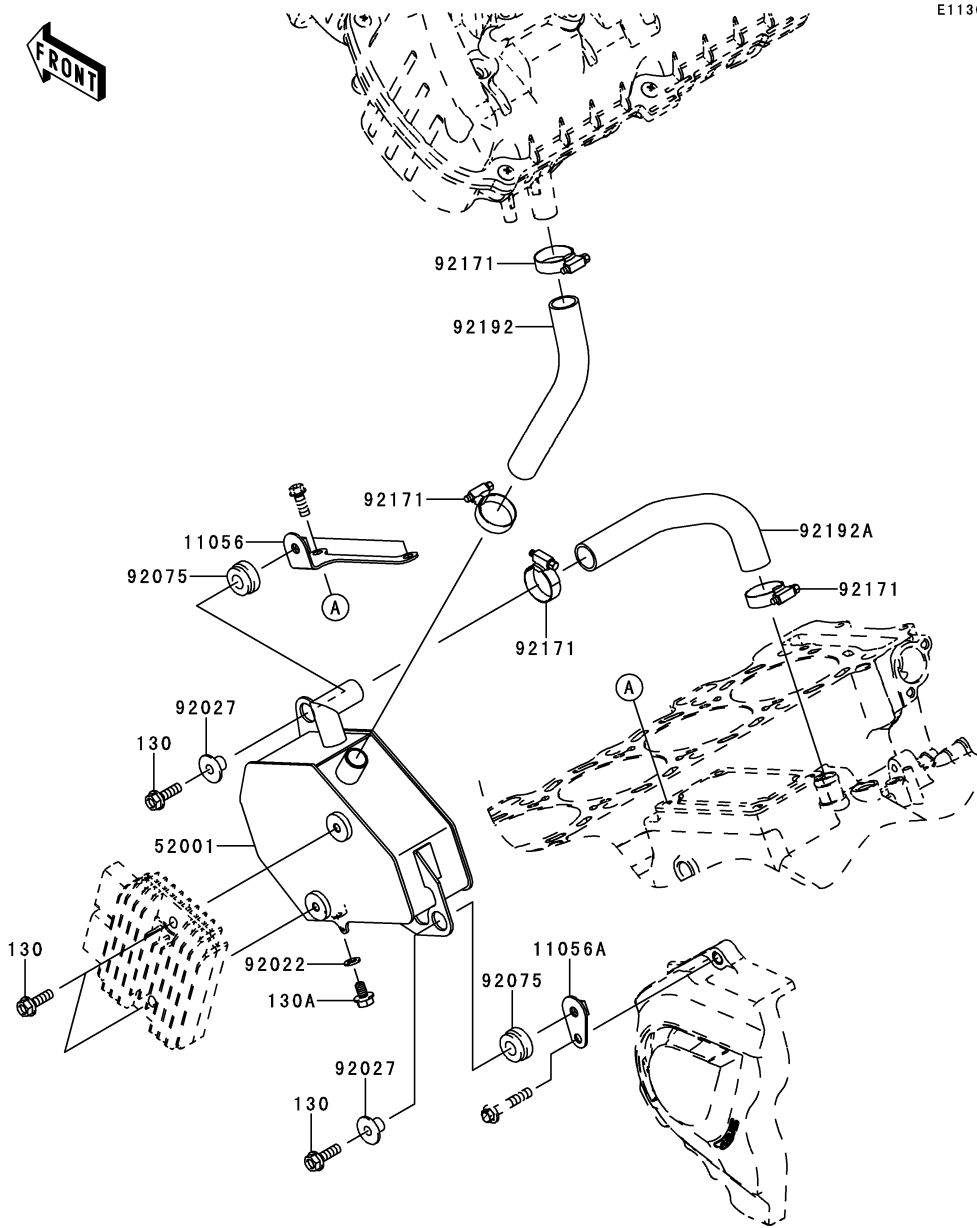


# **Racing Kit Parts List**

E1130



Ref. No.	Part No.	Description	Spec Code	Quantity-ZX1000	
				'11	JBFR
11056	11056-1232 (OPTION)	BRACKET,OIL TANK,UPP		1	
11056A	11056-1233 (OPTION)	BRACKET,OIL TANK,LWR		1	
52001	52001-0553 (OPTION)	TANK-OIL		1	
92022	92022-304 (OPTION)	WASHER,6.2X11X1		1	
92027	92027-194 (OPTION)	COLLAR,L=11.1		2	
92075	92075-277 (OPTION)	DAMPER		2	
92171	92171-0338 (OPTION)	CLAMP		4	
92192	92192-1025 (OPTION)	TUBE,TANK-A/C		1	
92192A	92192-1026 (OPTION)	TUBE,CASE-TANK		1	
130	130BA0620 (OPTION)	BOLT-FLANGED,6X20		4	
130A	130BD0610 (OPTION)	BOLT-FLANGED,6X10		1	

This catalog covers:

'11 ZX1000JBFR Engine

GRID NO. ZX1000J-2011-2013

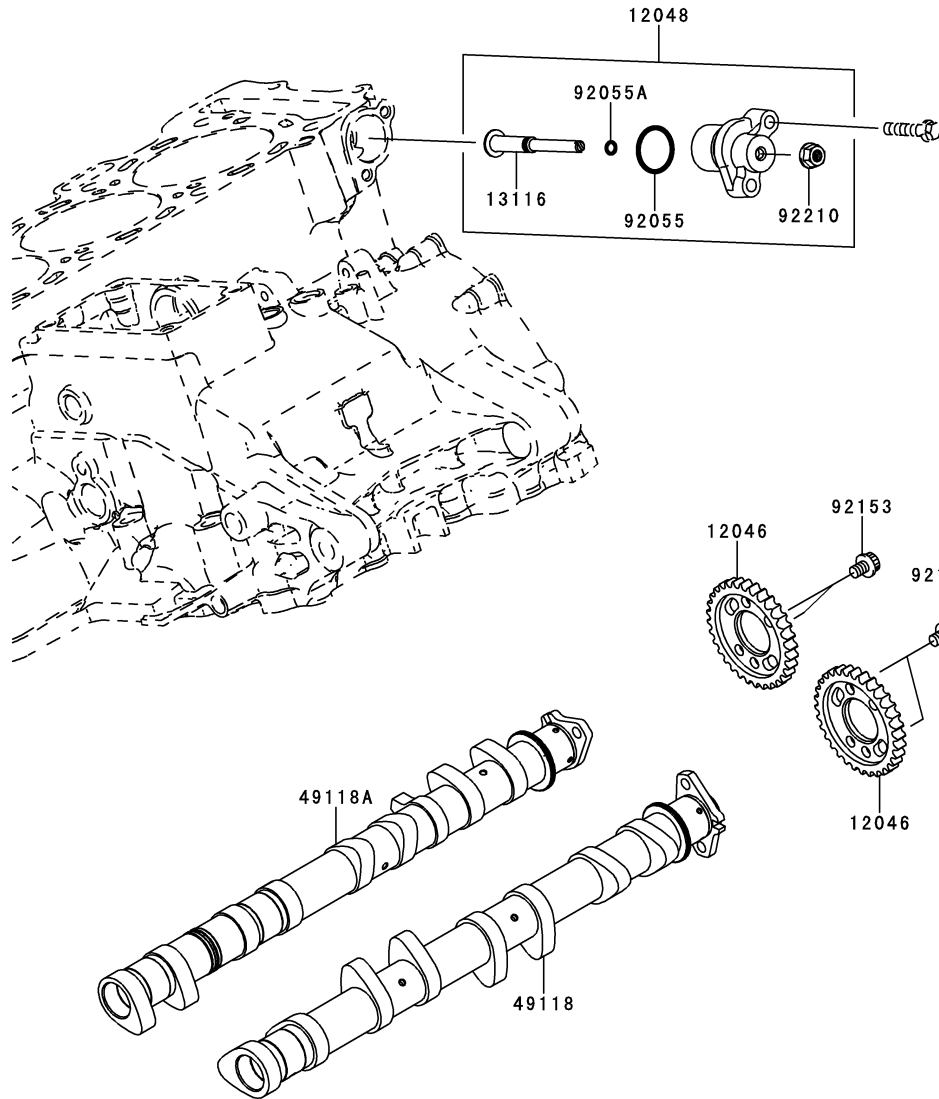
**B-4**

This grid covers:

**Camshaft(s)/Tensioner**

Kawasaki

E1230



Ref. No.	Part No.	Description	Spec Code	Quantity-ZX1000	
				'11	JBFR
12046	12046-0034 (OPTION)	SPROCKET,32T		2	
12048	12048-0082 (OPTION)	TENSIONER-ASSY		1	
13116	13116-1166 (OPTION)	ROD-PUSH		1	
49118	49118-0728 (OPTION)	CAMSHAFT-COMP,INTAKE		1	
49118A	49118-0729 (OPTION)	CAMSHAFT-COMP,EXHAUST		1	
92055	92055-0053 (OPTION)	RING-O,20.8X1.9		1	
92055A	92055-011 (OPTION)	RING-O,5MM		1	
92153	92153-0455 (OPTION)	BOLT,FLANGED,6X8		4	
92210	92210-0630 (OPTION)	NUT,FLANGED,6MM		1	

This catalog covers:

'11 ZX1000JBFR Engine

GRID NO. ZX1000J-2011-2013

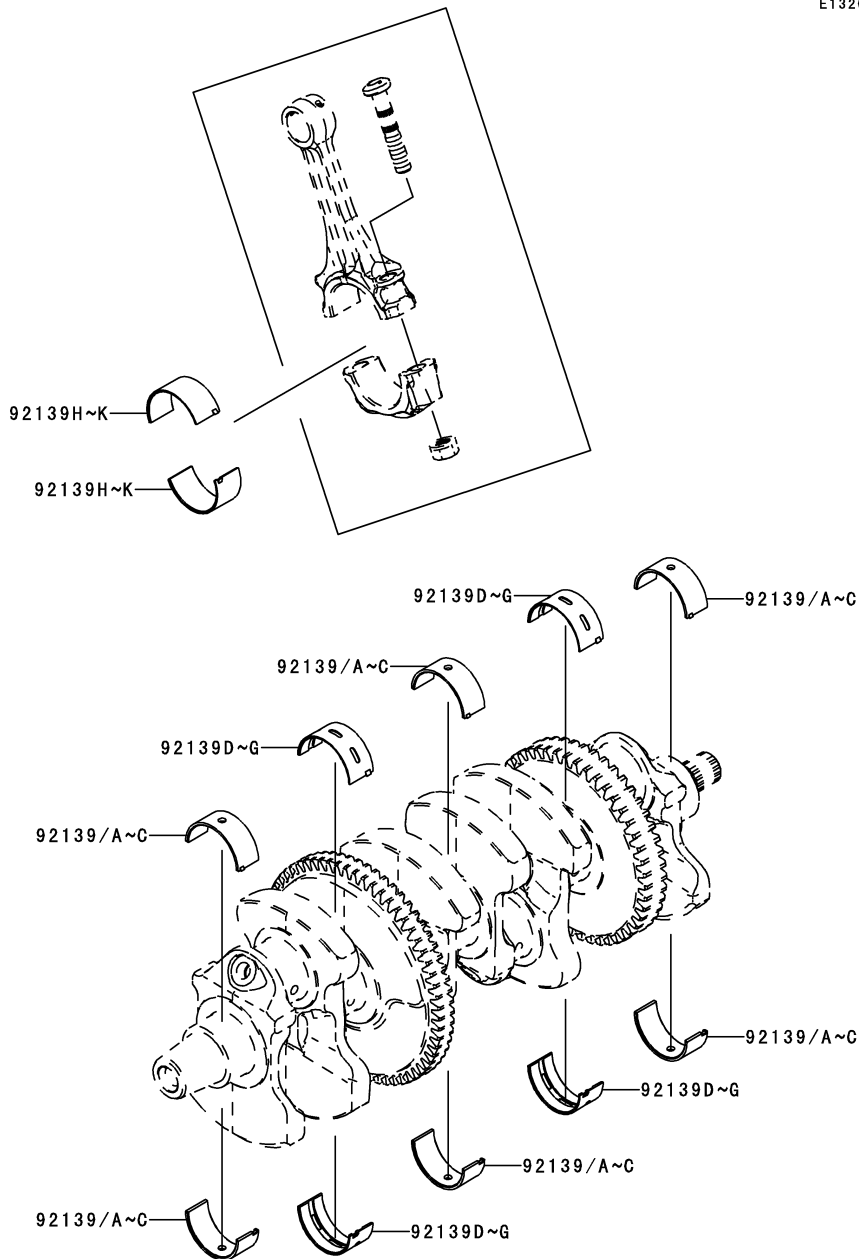
**B-5**

This grid covers:

**Crankshaft/Piston(s)**

Kawasaki

E1320



Ref. No.	Part No.	Description	Spec Code	Quantity-ZX1000	
				'11	JBFR
92139	92139-0746	BUSHING,#1&#3&#5,BLUE (OPTION)	AR		
92139A	92139-0747	BUSHING,#1&#3&#5,BLACK (OPTION)	6		
92139B	92139-0748	BUSHING,#1&#3&#5,BROWN (OPTION)	AR		
92139C	92139-0749	BUSHING,#1&#3&#5,PINK (OPTION)	AR		
92139D	92139-0750	BUSHING,#2&#4,BLUE (OPTION)	AR		
92139E	92139-0751	BUSHING,#2&#4,BLACK (OPTION)	4		
92139F	92139-0752	BUSHING,#2&#4,BROWN (OPTION)	AR		
92139G	92139-0753	BUSHING,#2&#4,PINK (OPTION)	AR		
92139H	92139-0754	BUSHING,CONROD,BLUE (OPTION)	AR		
92139I	92139-0755	BUSHING,CONROD,BLACK (OPTION)	AR		
92139J	92139-0756	BUSHING,CONROD,BROWN (OPTION)	8		
92139K	92139-0757	BUSHING,CONROD,PINK (OPTION)	AR		

This catalog covers:

'11 ZX1000JBFR Engine

ZX1000, 2011, 2013

GRID NO.

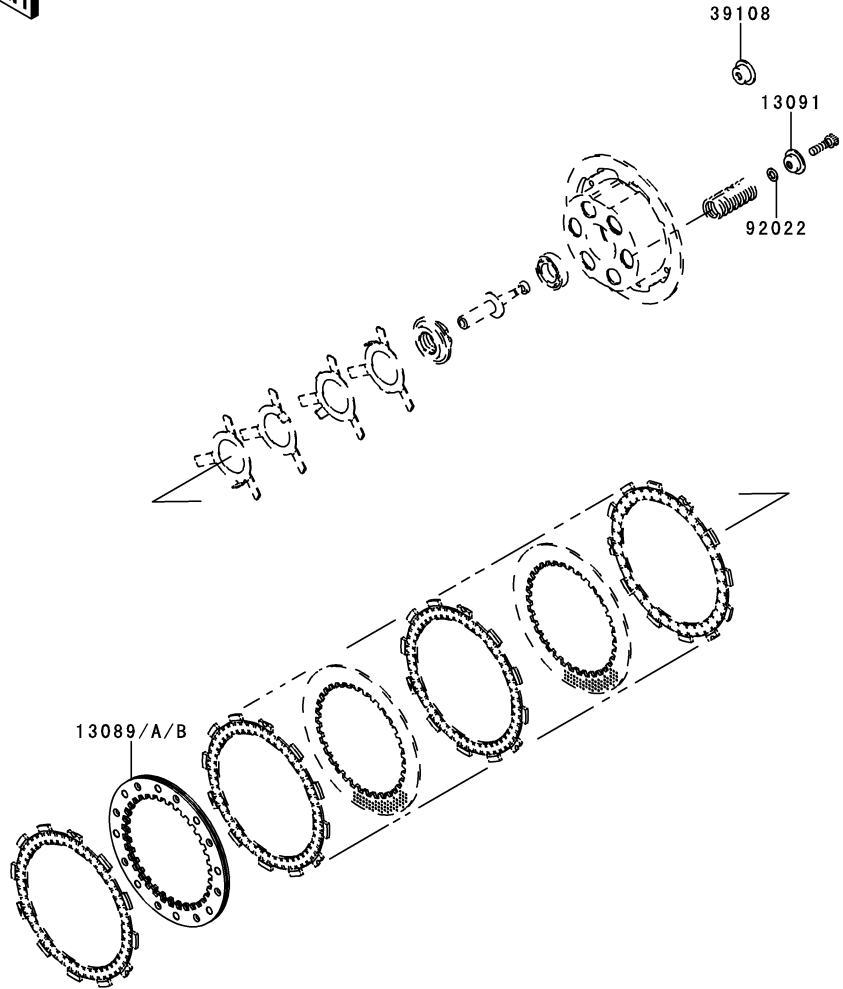
**B-6**

This grid covers:

**Clutch**

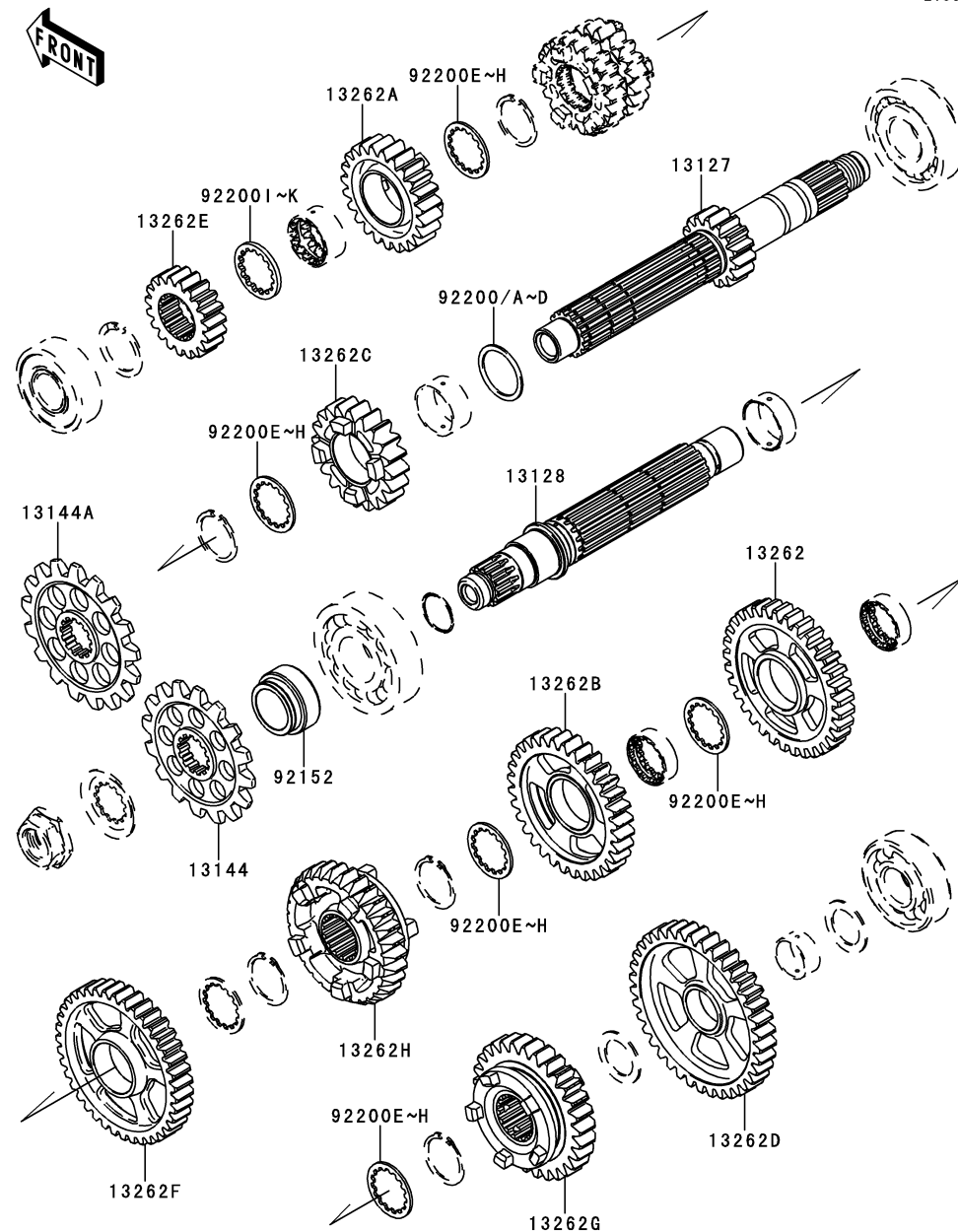
Kawasaki

E1350



Ref. No.	Part No.	Description	Spec Code	Quantity-ZX1000			
				'11			
13089	13089-0003	PLATE-CLUTCH,STD (OPTION)					1
13089A	13089-0011	PLATE-CLUTCH,STD +40% (OPTION)					1
13089B	13089-0012	PLATE-CLUTCH,STD +60% (OPTION)					1
13091	13091-1041	HOLDER,CLUTCH SPRING (OPTION)					6
39108	39108-0005	RETAINER-SPRING,STD+1MM (OPTION)					6
92022	92022-304	WASHER,6.2X11X1 (OPTION)					6

E1361



Ref. No.	Part No.	Description	Spec Code	Quantity-ZX1000	
				'11	JBFR
13127	13127-0638 (OPTION)	SHAFT-TRANSMISSION INPUT,15T		1	
13128	13128-0671 (OPTION)	SHAFT-TRANSMISSION OUTPUT		1	
13144	13144-0021 (OPTION)	SPROCKET-OUTPUT,16T,#520		1	
13144A	13144-0022 (OPTION)	SPROCKET-OUTPUT,17T,#520		1	
13262	13262-0618 (OPTION)	GEAR,OUTPUT 3RD,33T		1	
13262A	13262-0622 (OPTION)	GEAR,INPUT 6TH,23T		1	
13262B	13262-0645 (OPTION)	GEAR,OUTPUT 4TH,32T		1	
13262C	13262-0648 (OPTION)	GEAR,INPUT 5TH,21T		1	
13262D	13262-0664 (OPTION)	GEAR,OUTPUT LOW,38T		1	
13262E	13262-0856 (OPTION)	GEAR,INPUT 2ND,19T		1	
13262F	13262-0880 (OPTION)	GEAR,OUTPUT 2ND,39T		1	
13262G	13262-0901 (OPTION)	GEAR,OUTPUT 5TH,29T		1	
13262H	13262-0905 (OPTION)	GEAR,OUTPUT 6TH,30T		1	
92152	92152-1522 (OPTION)	COLLAR,SPROCKET		1	
92200	92200-0051 (OPTION)	WASHER,28.1X34.0X1.2		AR	
92200A	92200-0225 (OPTION)	WASHER,28.1X34.0X0.8		AR	
92200B	92200-0226 (OPTION)	WASHER,28.1X34.0X1.0		AR	
92200C	92200-0227 (OPTION)	WASHER,28.1X34.0X1.4		AR	
92200D	92200-0228 (OPTION)	WASHER,28.1X34.0X1.6		AR	
92200E	92200-0229 (OPTION)	WASHER,28.3X34.0X1.2		AR	
92200F	92200-0230 (OPTION)	WASHER,28.3X34.0X1.4		AR	

This catalog covers:

'11 ZX1000JBFR Engine

GRID NO. ZX1000-2011-2013

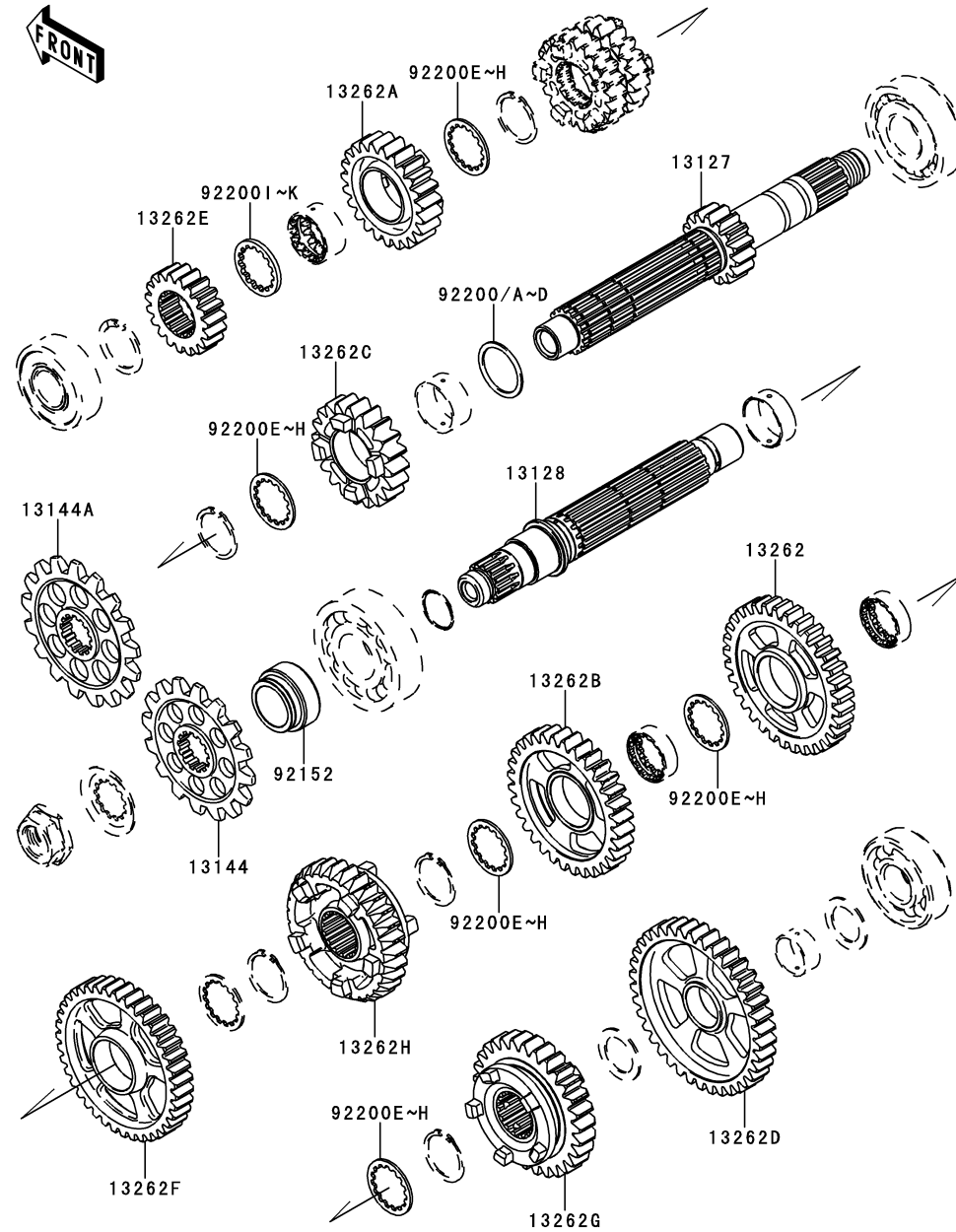
**B-8**

This grid covers:

Transmission(2/2)(TYPE-A)

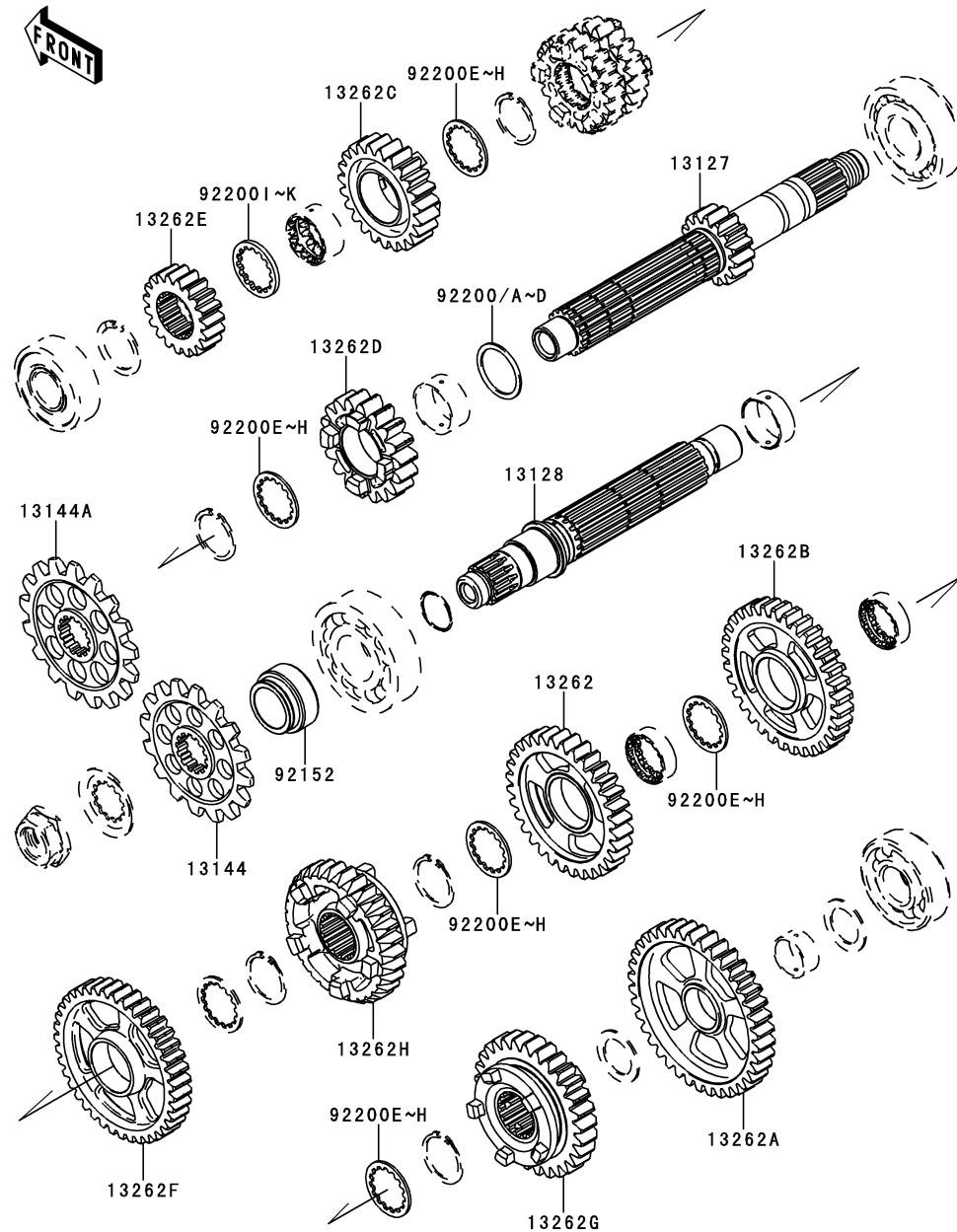
Kawasaki

E1361



Ref. No.	Part No.	Description	Spec Code	Quantity-ZX1000	
				'11	JBFR
92200G	92200-0231 (OPTION)	WASHER,28.3X34.0X1.8	AR		
92200H	92200-0232 (OPTION)	WASHER,28.3X34.0X2.0	AR		
92200I	92200-0748 (OPTION)	WASHER,28.3X34.0X2.6	AR		
92200J	92200-0749 (OPTION)	WASHER,28.3X34.0X2.8	AR		
92200K	92200-0750 (OPTION)	WASHER,28.3X34.0X3.0	AR		

E1361A



Ref. No.	Part No.	Description	Spec Code	Quantity-ZX1000	
				'11	JBFR
13127	13127-0639 (OPTION)	SHAFT-TRANSMISSION INPUT,13T		1	
13128	13128-0671 (OPTION)	SHAFT-TRANSMISSION OUTPUT		1	
13144	13144-0021 (OPTION)	SPROCKET-OUTPUT,16T,#520		1	
13144A	13144-0022 (OPTION)	SPROCKET-OUTPUT,17T,#520		1	
13262	13262-0619 (OPTION)	GEAR,OUTPUT 4TH,31T		1	
13262A	13262-0624 (OPTION)	GEAR,OUTPUT LOW,31T		1	
13262B	13262-0642 (OPTION)	GEAR,OUTPUT 3RD,34T		1	
13262C	13262-0652 (OPTION)	GEAR,INPUT 6TH,21T		1	
13262D	13262-0881 (OPTION)	GEAR,INPUT 5TH,18T		1	
13262E	13262-0895 (OPTION)	GEAR,INPUT 2ND,19T		1	
13262F	13262-0898 (OPTION)	GEAR,OUTPUT 2ND,37T		1	
13262G	13262-0902 (OPTION)	GEAR,OUTPUT 5TH,26T		1	
13262H	13262-0906 (OPTION)	GEAR,OUTPUT 6TH,29T		1	
92152	92152-1522 (OPTION)	COLLAR,SPROCKET		1	
92200	92200-0051 (OPTION)	WASHER,28.1X34.0X1.2		AR	
92200A	92200-0225 (OPTION)	WASHER,28.1X34.0X0.8		AR	
92200B	92200-0226 (OPTION)	WASHER,28.1X34.0X1.0		AR	
92200C	92200-0227 (OPTION)	WASHER,28.1X34.0X1.4		AR	
92200D	92200-0228 (OPTION)	WASHER,28.1X34.0X1.6		AR	
92200E	92200-0229 (OPTION)	WASHER,28.3X34.0X1.2		AR	
92200F	92200-0230 (OPTION)	WASHER,28.3X34.0X1.4		AR	



This catalog covers:

'11 ZX1000JBFR Engine

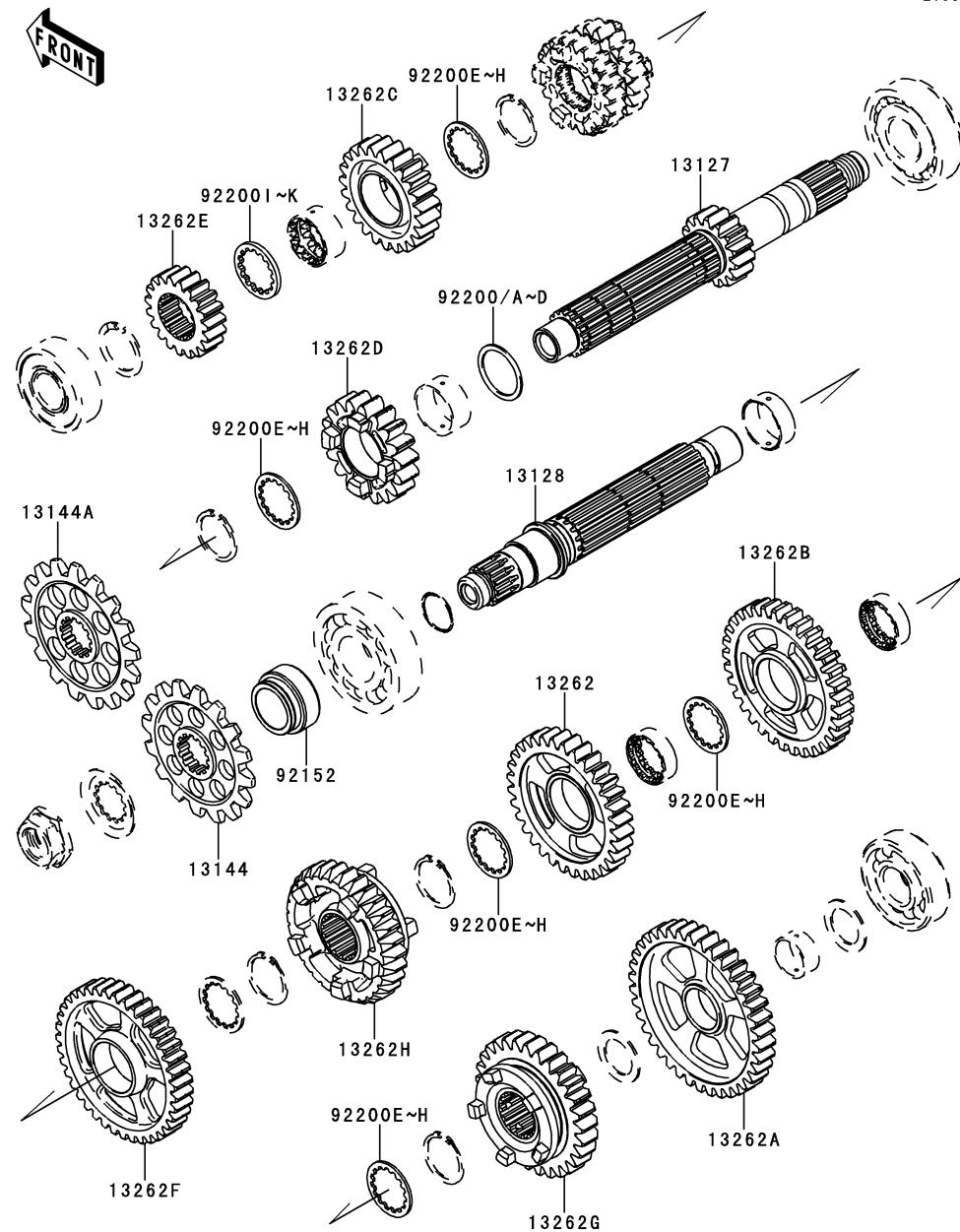
GRID NO. ZX1000J 2011-2013 This grid covers:

**B-10**

Transmission(2/2)(TYPE-B)

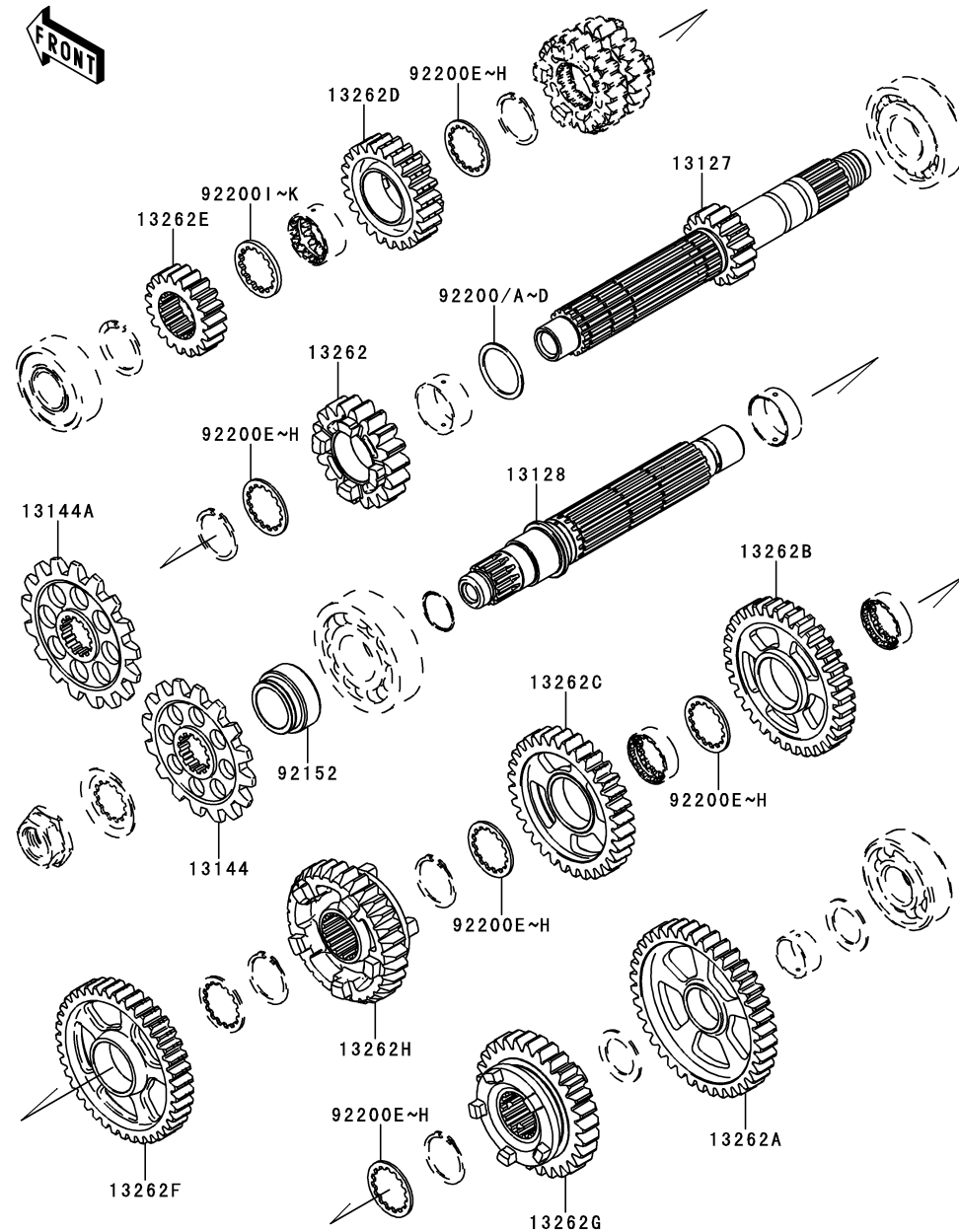
Kawasaki

E1361A



Ref. No.	Part No.	Description	Spec Code	Quantity-ZX1000			
				'11			
92200G	92200-0231 (OPTION)	WASHER,28.3X34.0X1.8	AR				
92200H	92200-0232 (OPTION)	WASHER,28.3X34.0X2.0	AR				
92200I	92200-0748 (OPTION)	WASHER,28.3X34.0X2.6	AR				
92200J	92200-0749 (OPTION)	WASHER,28.3X34.0X2.8	AR				
92200K	92200-0750 (OPTION)	WASHER,28.3X34.0X3.0	AR				

E1361B



Ref. No.	Part No.	Description	Spec Code	Quantity-ZX1000	
				'11	JBFR
13127	13127-0640 (OPTION)	SHAFT-TRANSMISSION INPUT,14T		1	
13128	13128-0671 (OPTION)	SHAFT-TRANSMISSION OUTPUT		1	
13144	13144-0021 (OPTION)	SPROCKET-OUTPUT,16T,#520		1	
13144A	13144-0022 (OPTION)	SPROCKET-OUTPUT,17T,#520		1	
13262	13262-0620 (OPTION)	GEAR,INPUT 5TH,20T		1	
13262A	13262-0625 (OPTION)	GEAR,OUTPUT LOW,34T		1	
13262B	13262-0643 (OPTION)	GEAR,OUTPUT 3RD,28T		1	
13262C	13262-0646 (OPTION)	GEAR,OUTPUT 4TH,33T		1	
13262D	13262-0869 (OPTION)	GEAR,INPUT TOP,23T		1	
13262E	13262-0896 (OPTION)	GEAR,INPUT 2ND,18T		1	
13262F	13262-0899 (OPTION)	GEAR,OUTPUT 2ND,38T		1	
13262G	13262-0903 (OPTION)	GEAR,OUTPUT 5TH,28T		1	
13262H	13262-0907 (OPTION)	GEAR,OUTPUT 6TH,31T		1	
92152	92152-1522 (OPTION)	COLLAR,SPROCKET		1	
92200	92200-0051 (OPTION)	WASHER,28.1X34.0X1.2		AR	
92200A	92200-0225 (OPTION)	WASHER,28.1X34.0X0.8		AR	
92200B	92200-0226 (OPTION)	WASHER,28.1X34.0X1.0		AR	
92200C	92200-0227 (OPTION)	WASHER,28.1X34.0X1.4		AR	
92200D	92200-0228 (OPTION)	WASHER,28.1X34.0X1.6		AR	
92200E	92200-0229 (OPTION)	WASHER,28.3X34.0X1.2		AR	
92200F	92200-0230 (OPTION)	WASHER,28.3X34.0X1.4		AR	

This catalog covers:

'11 ZX1000JBFR Engine

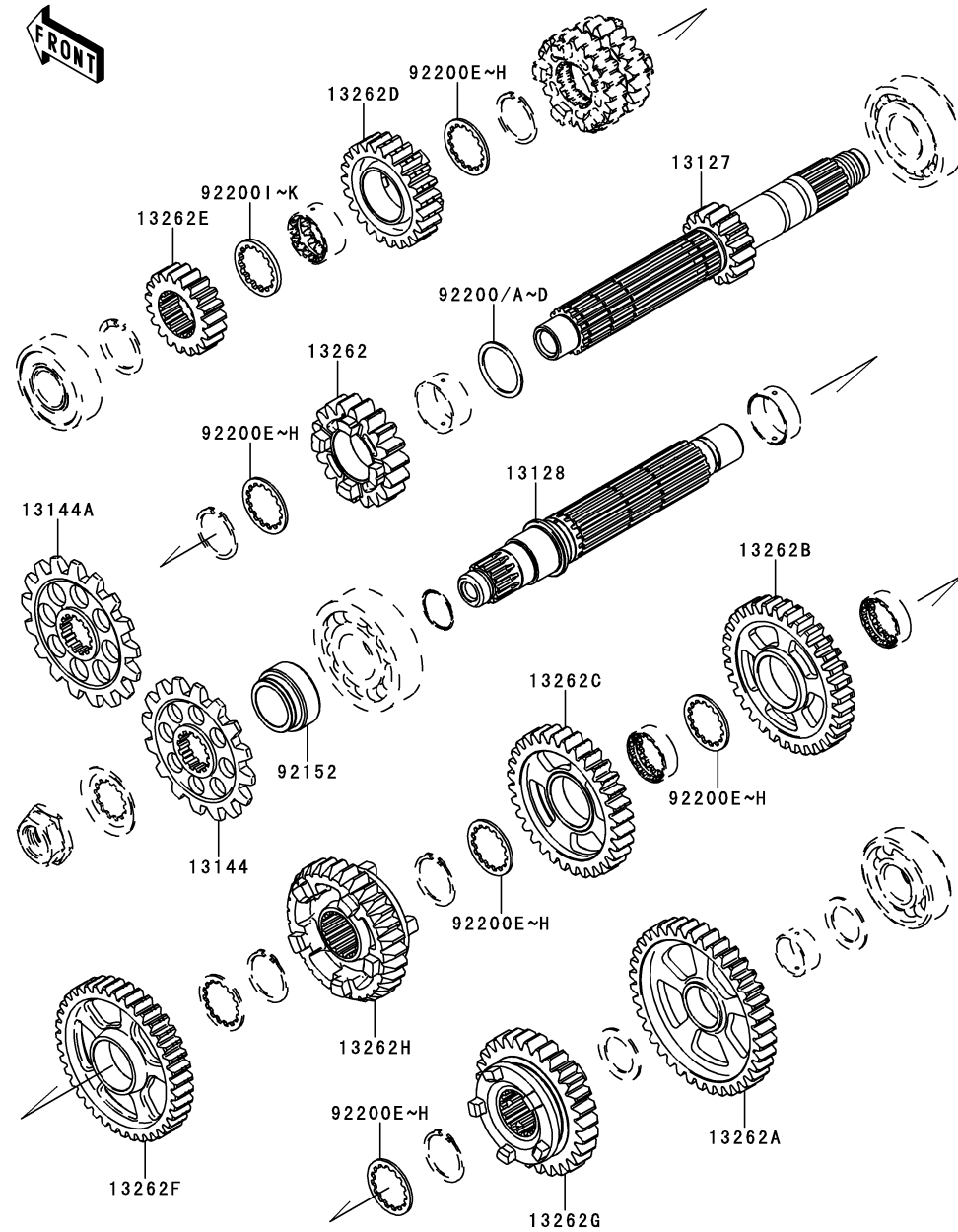
GRID NO. ZX1000J-2011-2013 This grid covers:

B-12

Transmission(2/2)(TYPE-C)

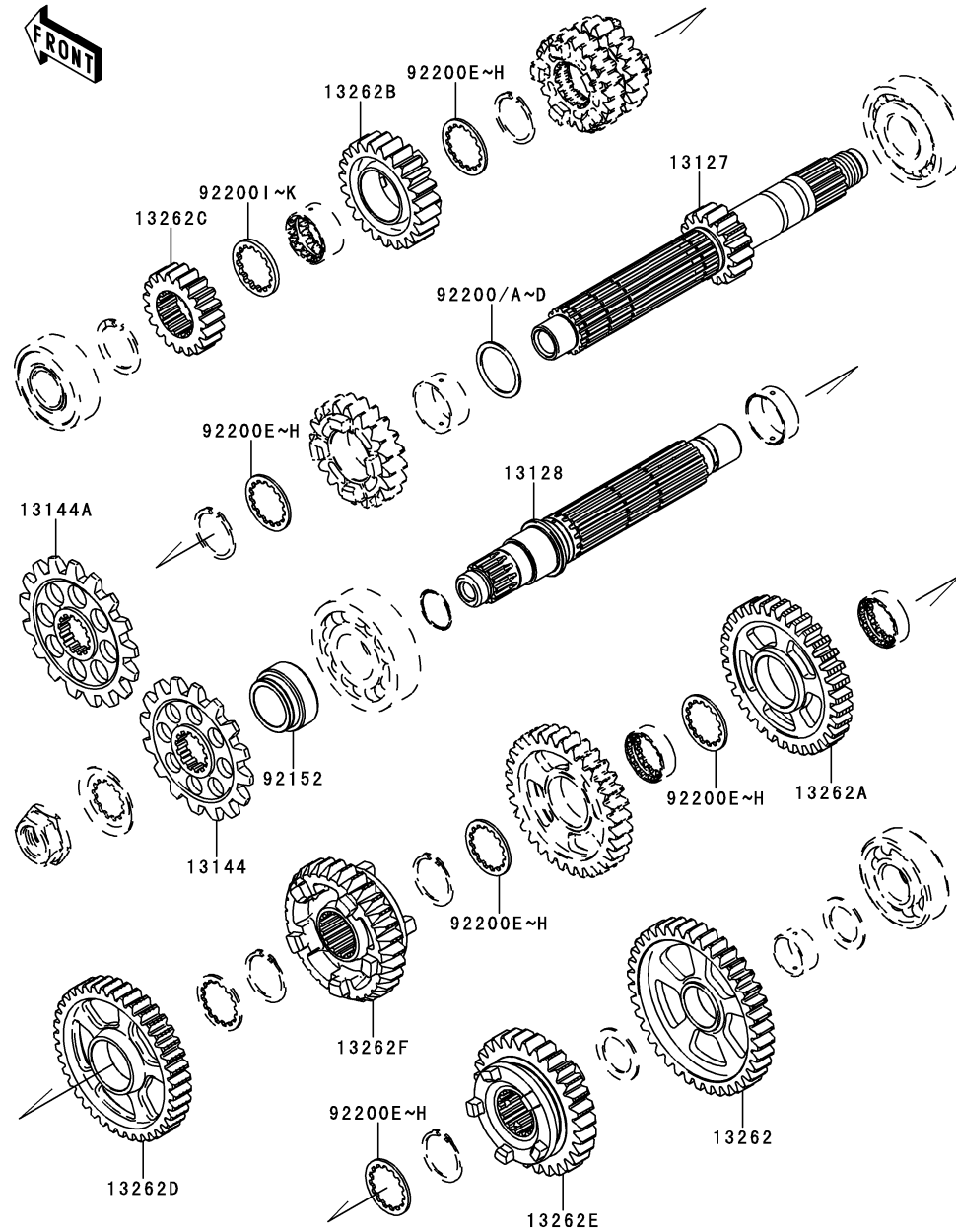
Kawasaki

E1361B



Ref. No.	Part No.	Description	Spec Code	Quantity-ZX1000	
				'11	JBFR
92200G	92200-0231 (OPTION)	WASHER,28.3X34.0X1.8		AR	
92200H	92200-0232 (OPTION)	WASHER,28.3X34.0X2.0		AR	
92200I	92200-0748 (OPTION)	WASHER,28.3X34.0X2.6		AR	
92200J	92200-0749 (OPTION)	WASHER,28.3X34.0X2.8		AR	
92200K	92200-0750 (OPTION)	WASHER,28.3X34.0X3.0		AR	

E13610



Ref. No.	Part No.	Description	Spec Code	Quantity-ZX1000	
				'11	JBFR
13127	13127-0641 (OPTION)	SHAFT-TRANSMISSION INPUT,16T		1	
13128	13128-0671 (OPTION)	SHAFT-TRANSMISSION OUTPUT		1	
13144	13144-0021 (OPTION)	SPROCKET-OUTPUT,16T,#520		1	
13144A	13144-0022 (OPTION)	SPROCKET-OUTPUT,17T,#520		1	
13262	13262-0626 (OPTION)	GEAR,OUTPUT LOW,37T		1	
13262A	13262-0644 (OPTION)	GEAR,OUTPUT 3RD,36T		1	
13262B	13262-0654 (OPTION)	GEAR,INPUT 6TH,22T		1	
13262C	13262-0897 (OPTION)	GEAR,INPUT 2ND,18T		1	
13262D	13262-0900 (OPTION)	GEAR,OUTPUT 2ND,36T		1	
13262E	13262-0904 (OPTION)	GEAR,OUTPUT 5TH,30T		1	
13262F	13262-0908 (OPTION)	GEAR,OUTPUT 6TH,28T		1	
92152	92152-1522 (OPTION)	COLLAR,SPROCKET		1	
92200	92200-0051 (OPTION)	WASHER,28.1X34.0X1.2		AR	
92200A	92200-0225 (OPTION)	WASHER,28.1X34.0X0.8		AR	
92200B	92200-0226 (OPTION)	WASHER,28.1X34.0X1.0		AR	
92200C	92200-0227 (OPTION)	WASHER,28.1X34.0X1.4		AR	
92200D	92200-0228 (OPTION)	WASHER,28.1X34.0X1.6		AR	
92200E	92200-0229 (OPTION)	WASHER,28.3X34.0X1.2		AR	
92200F	92200-0230 (OPTION)	WASHER,28.3X34.0X1.4		AR	
92200G	92200-0231 (OPTION)	WASHER,28.3X34.0X1.8		AR	
92200H	92200-0232 (OPTION)	WASHER,28.3X34.0X2.0		AR	

This catalog covers:

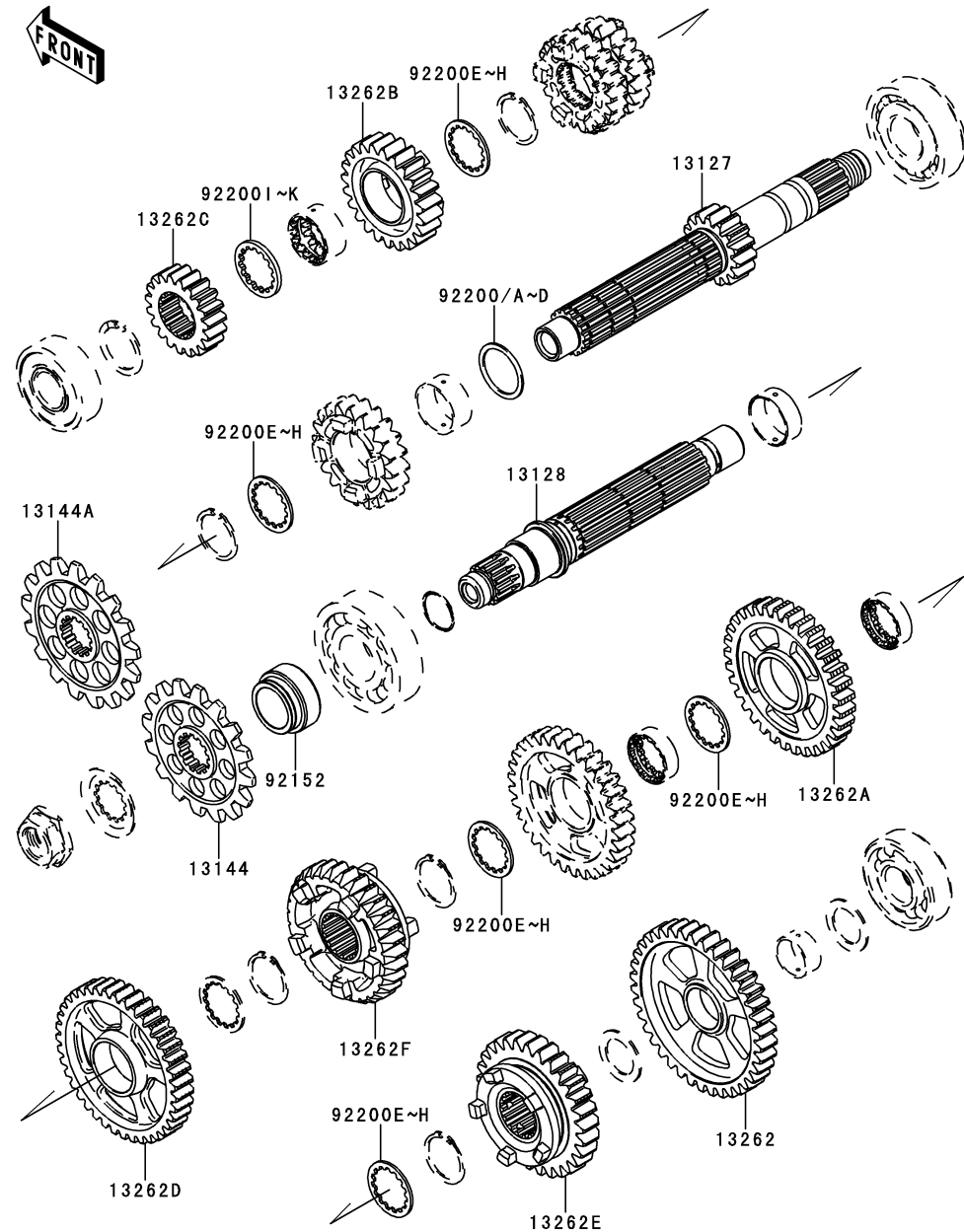
'11 ZX1000JBFR Engine

GRID NO. ZX1000J 2011-2013

This grid covers:  
**B-14** Transmission(2/2)(TYPE-D)

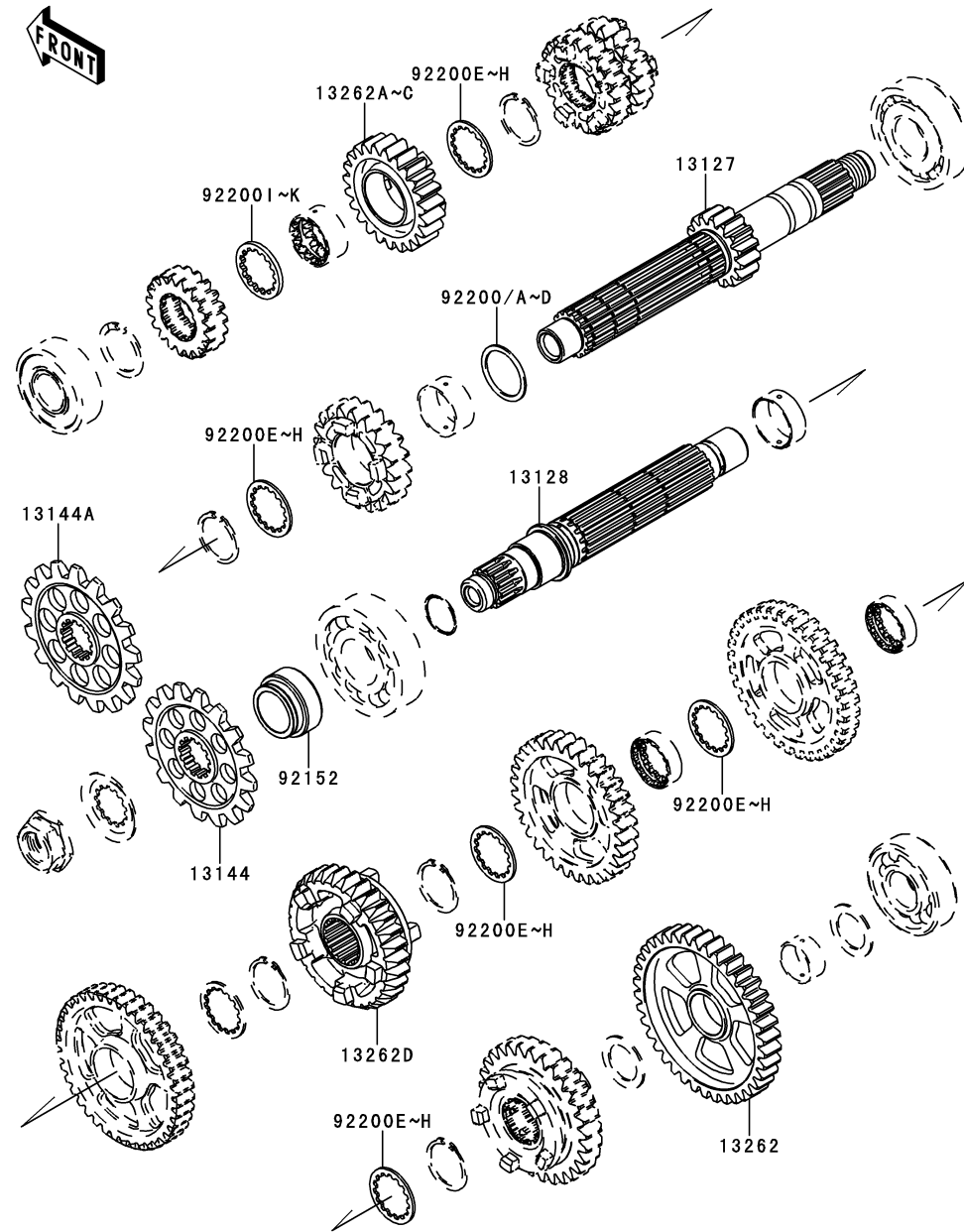
Kawasaki

E13610



Ref. No.	Part No.	Description	Spec Code	Quantity-ZX1000			
				'11			
92200I	92200-0748 (OPTION)	WASHER,28.3X34.0X2.6	AR				
92200J	92200-0749 (OPTION)	WASHER,28.3X34.0X2.8	AR				
92200K	92200-0750 (OPTION)	WASHER,28.3X34.0X3.0	AR				

E1361D



Ref. No.	Part No.	Description	Spec Code	Quantity-ZX1000	
				'11	JBFR
13127	13127-0642 (OPTION)	SHAFT-TRANSMISSION INPUT,15T		1	
13128	13128-0671 (OPTION)	SHAFT-TRANSMISSION OUTPUT		1	
13144	13144-0021 (OPTION)	SPROCKET-OUTPUT,16T,#520		1	
13144A	13144-0022 (OPTION)	SPROCKET-OUTPUT,17T,#520		1	
13262	13262-0615 (OPTION)	GEAR,OUTPUT LOW,39T		1	
13262A	13262-0655 (OPTION)	GEAR,INPUT 6TH,21T		1	
13262B	13262-0656 (OPTION)	GEAR,INPUT 6TH,24T		1	
13262C	13262-0657 (OPTION)	GEAR,INPUT 6TH,22T		1	
13262D	13262-0909 (OPTION)	GEAR,OUTPUT 6TH,26T		1	
92152	92152-1522 (OPTION)	COLLAR,SPROCKET		1	
92200	92200-0051 (OPTION)	WASHER,28.1X34.0X1.2		AR	
92200A	92200-0225 (OPTION)	WASHER,28.1X34.0X0.8		AR	
92200B	92200-0226 (OPTION)	WASHER,28.1X34.0X1.0		AR	
92200C	92200-0227 (OPTION)	WASHER,28.1X34.0X1.4		AR	
92200D	92200-0228 (OPTION)	WASHER,28.1X34.0X1.6		AR	
92200E	92200-0229 (OPTION)	WASHER,28.3X34.0X1.2		AR	
92200F	92200-0230 (OPTION)	WASHER,28.3X34.0X1.4		AR	
92200G	92200-0231 (OPTION)	WASHER,28.3X34.0X1.8		AR	
92200H	92200-0232 (OPTION)	WASHER,28.3X34.0X2.0		AR	
92200I	92200-0748 (OPTION)	WASHER,28.3X34.0X2.6		AR	
92200J	92200-0749 (OPTION)	WASHER,28.3X34.0X2.8		AR	

This catalog covers:

'11 ZX1000JBFR Engine

GRID NO. ZX1000J-2011-2013

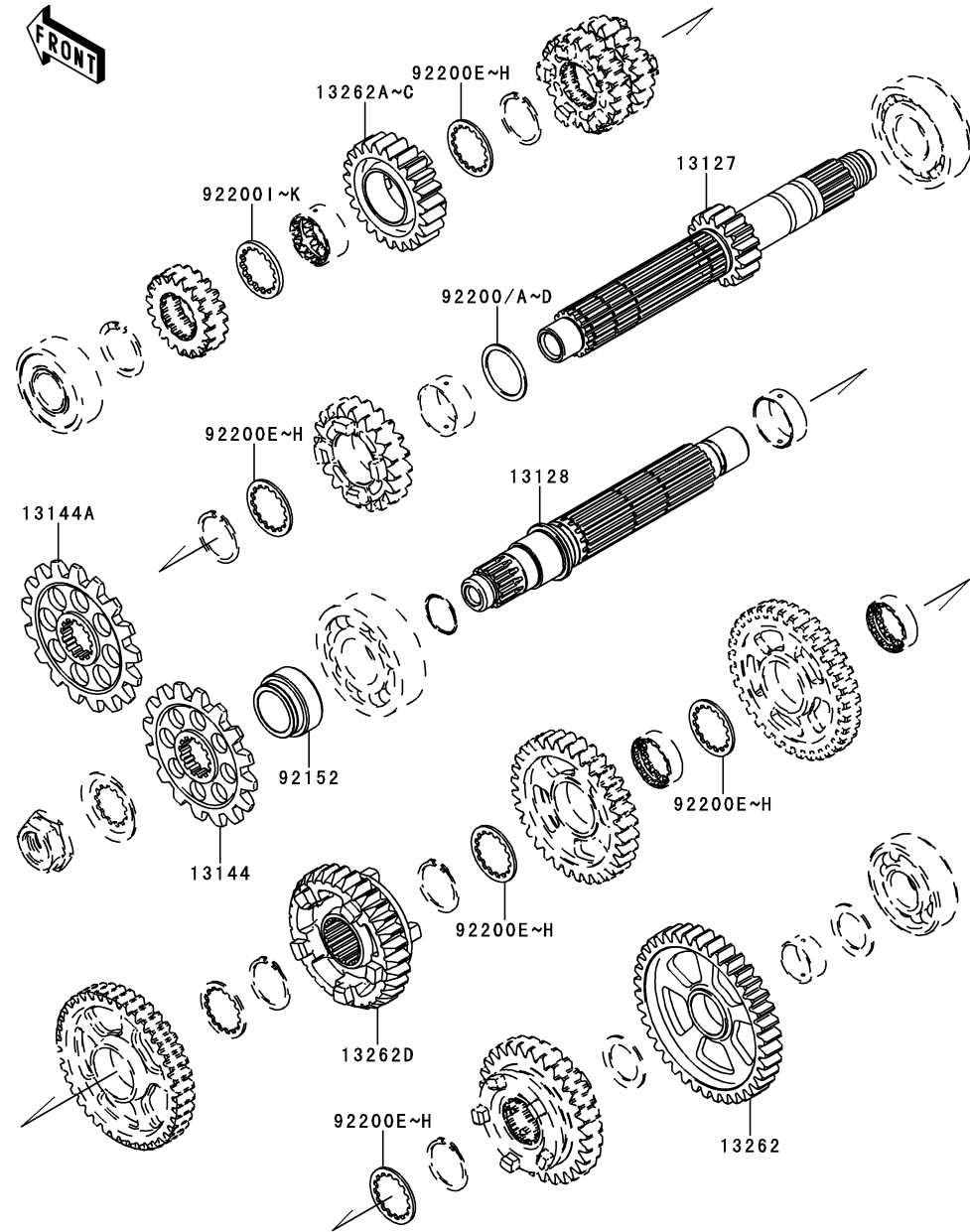
C-4

This grid covers:

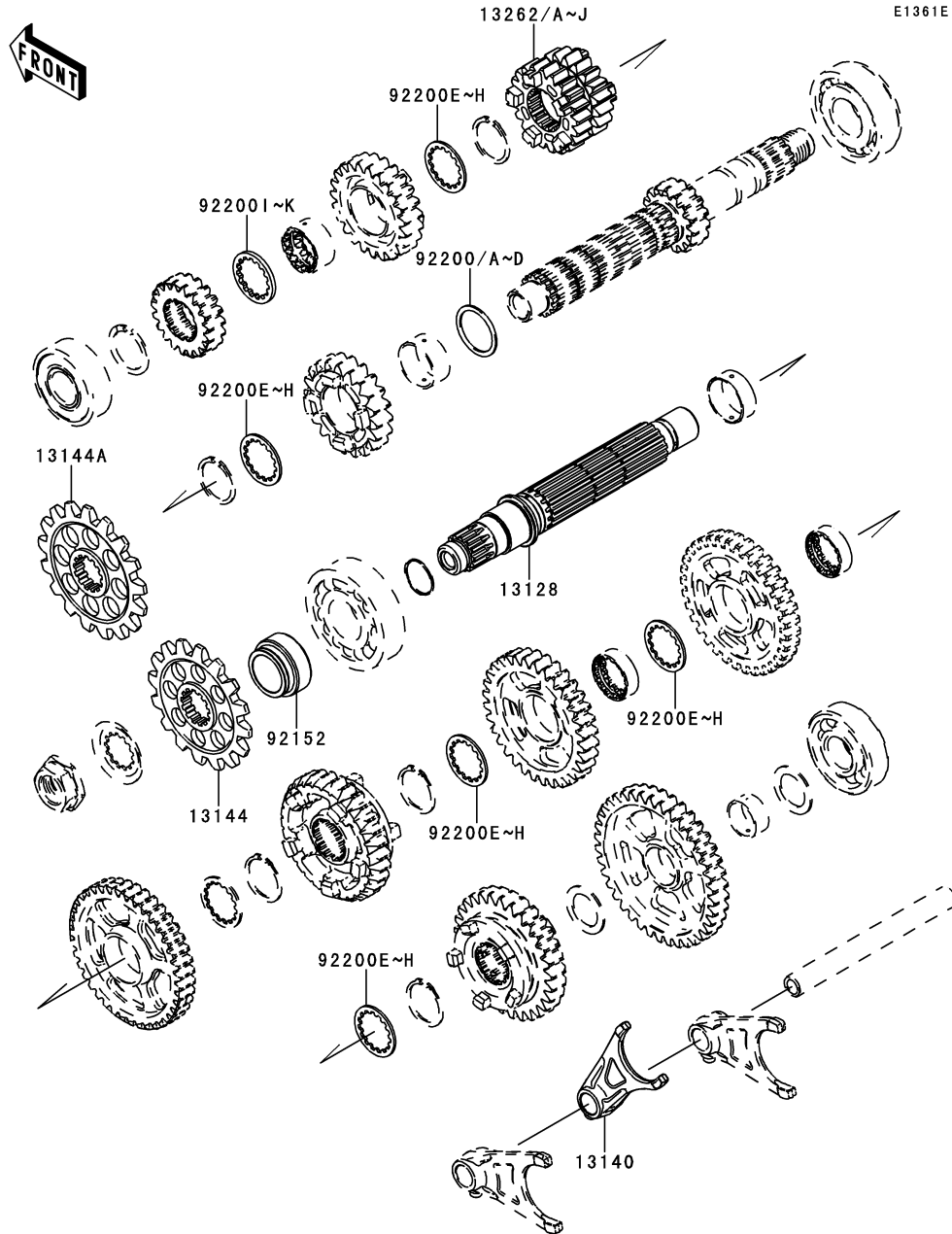
Transmission(2/2)(TYPE-E/F/G)

Kawasaki

E1361D



Ref. No.	Part No.	Description	Spec Code	Quantity-ZX1000			
				'11			
92200K	92200-0750 (OPTION)	WASHER,28.3X34.0X3.0	AR				



E1361E

Ref. No.	Part No.	Description	Spec Code	Quantity-ZX1000			
				'11			
13128	13128-0671	SHAFT-TRANSMISSION OUTPUT (OPTION)		1			
13140	13140-0625	FORK-SHIFT (OPTION)		1			
13144	13144-0021	SPROCKET-OUTPUT,16T,#520 (OPTION)		1			
13144A	13144-0022	SPROCKET-OUTPUT,17T,#520 (OPTION)		1			
13262	13262-0630	GEAR,INPUT 3RD&4TH,19T&21T,A/A (OPTION)		1			
13262A	13262-0632	GEAR,INPUT 3RD&4TH,19T&20T,B/B (OPTION)		1			
13262B	13262-0633	GEAR,INPUT 3RD&4TH,19T&21T,B/A (OPTION)		1			
13262C	13262-0634	GEAR,INPUT 3RD&4TH,19T&21T,B/C (OPTION)		1			
13262D	13262-0637	GEAR,INPUT 3RD&4TH,16T&20T,C/B (OPTION)		1			
13262E	13262-0638	GEAR,INPUT 3RD&4TH,16T&21T,C/A (OPTION)		1			
13262F	13262-0639	GEAR,INPUT 3RD&4TH,16T&21T,C/C (OPTION)		1			
13262G	13262-0640	GEAR,INPUT 3RD&4TH,21T&20T,D/B (OPTION)		1			
13262H	13262-0641	GEAR,INPUT 3RD&4TH,21T&21T,D/A (OPTION)		1			
13262I	13262-0665	GEAR,INPUT 3RD&4TH,19T&20T (OPTION)		1			
13262J	13262-0891	GEAR,INPUT 3RD&4TH,19T&21T (OPTION)		1			
92152	92152-1522	COLLAR,SPROCKET (OPTION)		1			
92200	92200-0051	WASHER,28.1X34.0X1.2 (OPTION)		AR			
92200A	92200-0225	WASHER,28.1X34.0X0.8 (OPTION)		AR			
92200B	92200-0226	WASHER,28.1X34.0X1.0 (OPTION)		AR			
92200C	92200-0227	WASHER,28.1X34.0X1.4 (OPTION)		AR			
92200D	92200-0228	WASHER,28.1X34.0X1.6 (OPTION)		AR			



This catalog covers:

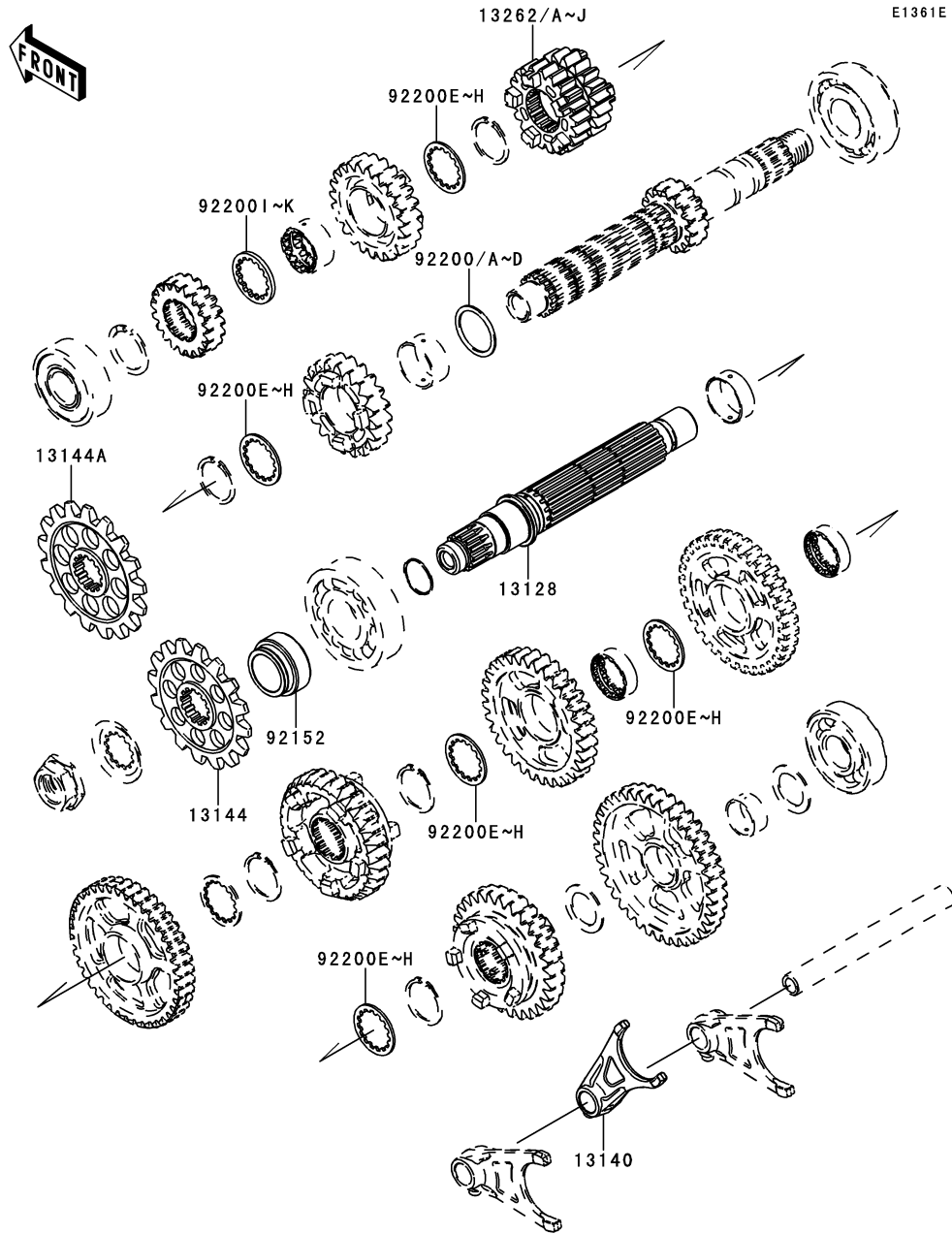
'11 ZX1000JBFR Engine

GRID NO. ZX1000J 2011-2013  
C-6

This grid covers:

Transmission(2/2)(INPUT3RD/4TH GEAR)

Kawasaki



Ref. No.	Part No.	Description	Spec Code	Quantity-ZX1000			
				'11			
92200E	92200-0229 (OPTION)	WASHER,28.3X34.0X1.2	AR				
92200F	92200-0230 (OPTION)	WASHER,28.3X34.0X1.4	AR				
92200G	92200-0231 (OPTION)	WASHER,28.3X34.0X1.8	AR				
92200H	92200-0232 (OPTION)	WASHER,28.3X34.0X2.0	AR				
92200I	92200-0748 (OPTION)	WASHER,28.3X34.0X2.6	AR				
92200J	92200-0749 (OPTION)	WASHER,28.3X34.0X2.8	AR				
92200K	92200-0750 (OPTION)	WASHER,28.3X34.0X3.0	AR				

This catalog covers:

'11 ZX1000JBFR Engine

ZX1000J 2011-2013

GRID NO.  
**C-7**

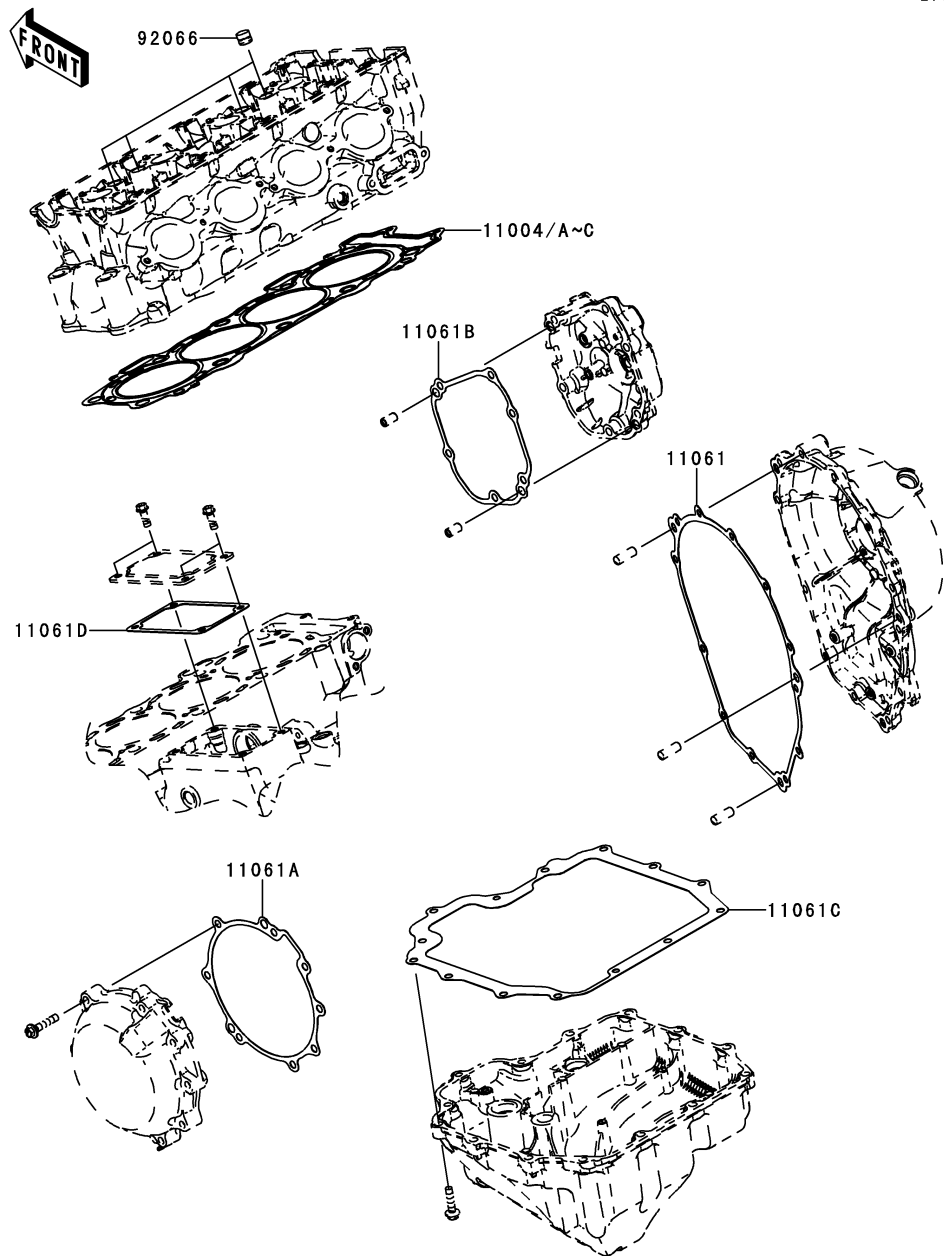
This grid covers:

Engine Cover(s)

Kawasaki

E1431

Ref. No.	Part No.	Description	Spec Code	Quantity-ZX1000	
				'11 JBFR	
11004	11004-0719 (OPTION)	GASKET-HEAD,T=0.65		1	
11004A	11004-0720 (OPTION)	GASKET-HEAD,T=0.60		1	
11004B	11004-0721 (OPTION)	GASKET-HEAD,T=0.55		1	
11004C	11004-0722 (OPTION)	GASKET-HEAD,T=0.50		1	
11061	11061-0754 (OPTION)	GASKET,CLUTCH COVER		1	
11061A	11061-0755 (OPTION)	GASKET,GENERATOR COVER		1	
11061B	11061-0756 (OPTION)	GASKET,PULSER COVER		1	
11061C	11061-0757 (OPTION)	GASKET,OIL PAN		1	
11061D	11061-0758 (OPTION)	GASKET,STARTER COVER		1	
92066	92066-1005 (OPTION)	PLUG		4	



This catalog covers:

# '11 ZX1000JBFR Engine

ZX1000J-2011-2013

GRID NO.  
**C-8**

This grid covers:

## Throttle

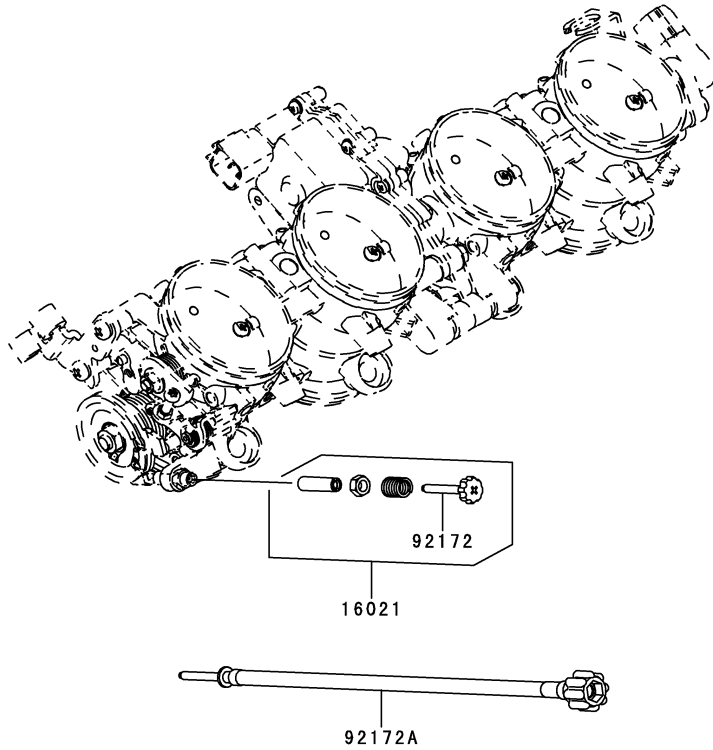
Kawasaki

E1510



Ref. No.	Part No.	Description	Spec Code	Quantity-ZX1000			
				'11			
				JBFR			

16021	16021-0055 (OPTION)	SCREW-THROTTLE STOP		1			
92172	92172-0745 (OPTION)	SCREW		1			
92172A	92172-0746 (OPTION)	SCREW,REMOTE TYPE		1			



This catalog covers:

'11 ZX1000JBFR Engine

GRID NO. ZX1000J-2011-2013

**C-9**

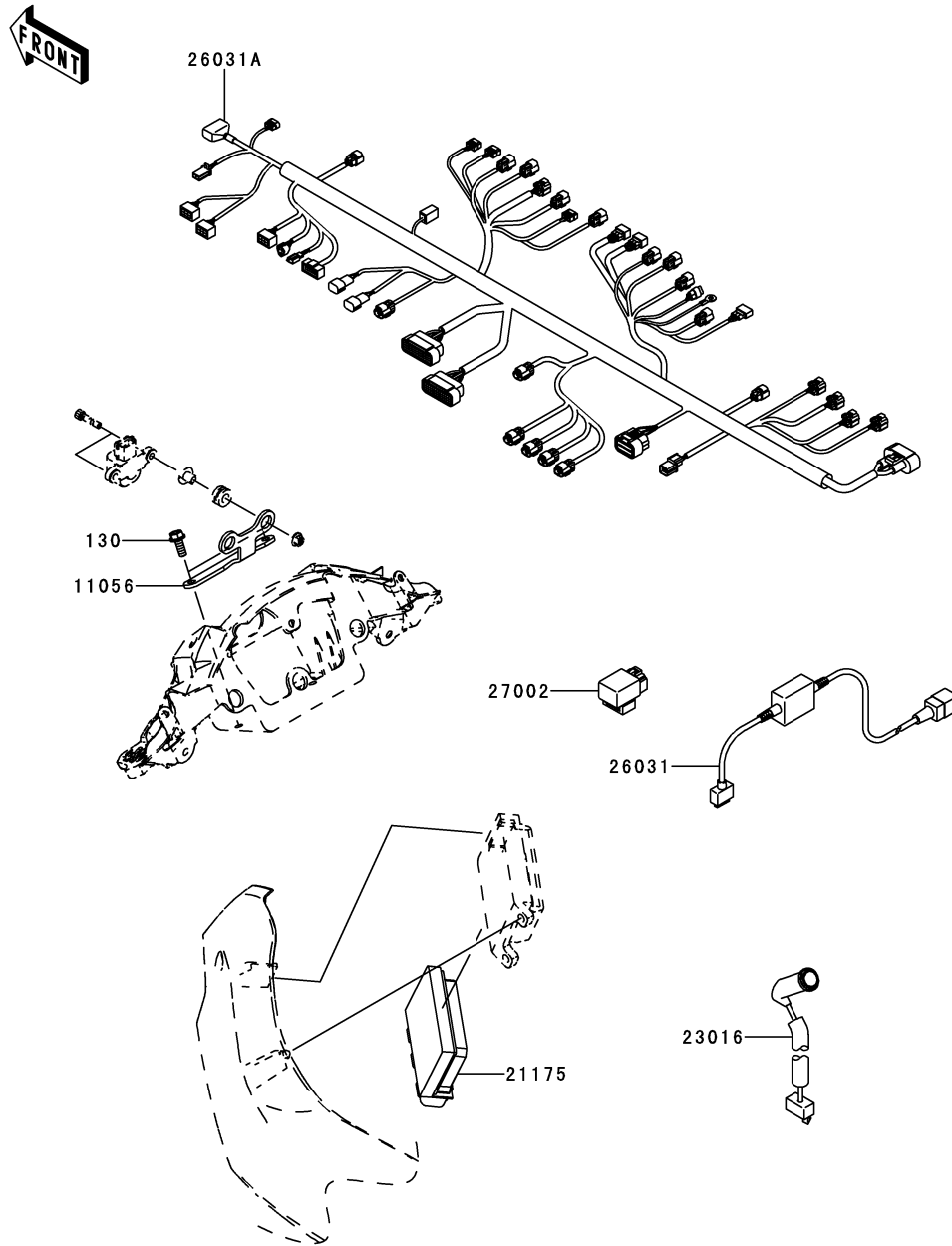
This grid covers:

**Fuel Injection**

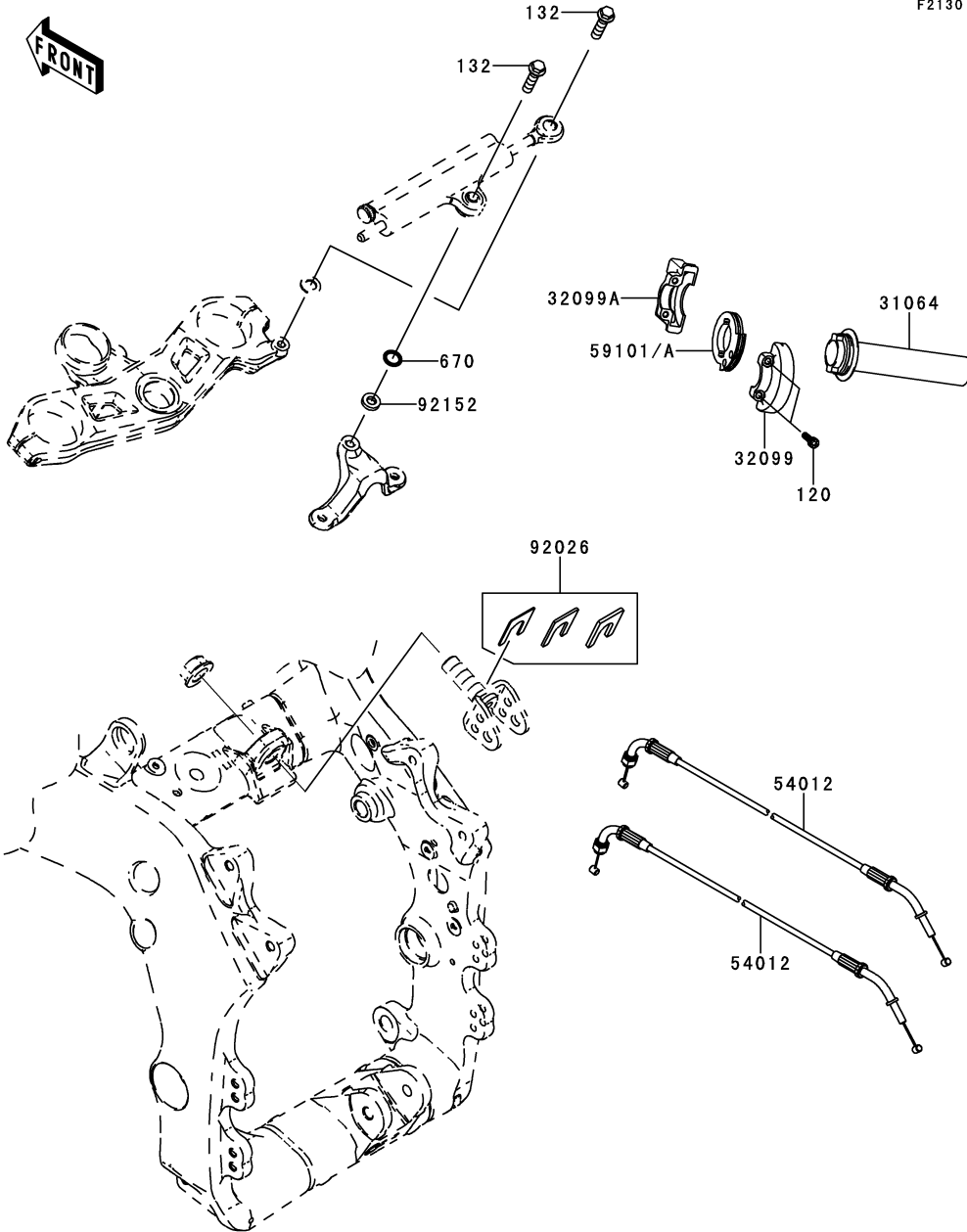
Kawasaki

E1530

Ref. No.	Part No.	Description	Spec Code	Quantity-ZX1000	
				'11	JBFR
11056	11056-1243 (OPTION)	BRACKET,TIP OVER SENSOR		1	
21175	21175-0756 (OPTION)	CONTROL UNIT-ELECTRONIC		1	
23016	23016-0006 (OPTION)	LAMP-ASSY,INDICATOR		1	
26031	26031-0999 (OPTION)	HARNESS,INTERFACE		1	
26031A	26031-1219 (OPTION)	HARNESS,KIT		1	
27002	27002-1062 (OPTION)	RELAY-ASSY		1	
130	130BA0616 (OPTION)	BOLT-FLANGED,6X16		2	

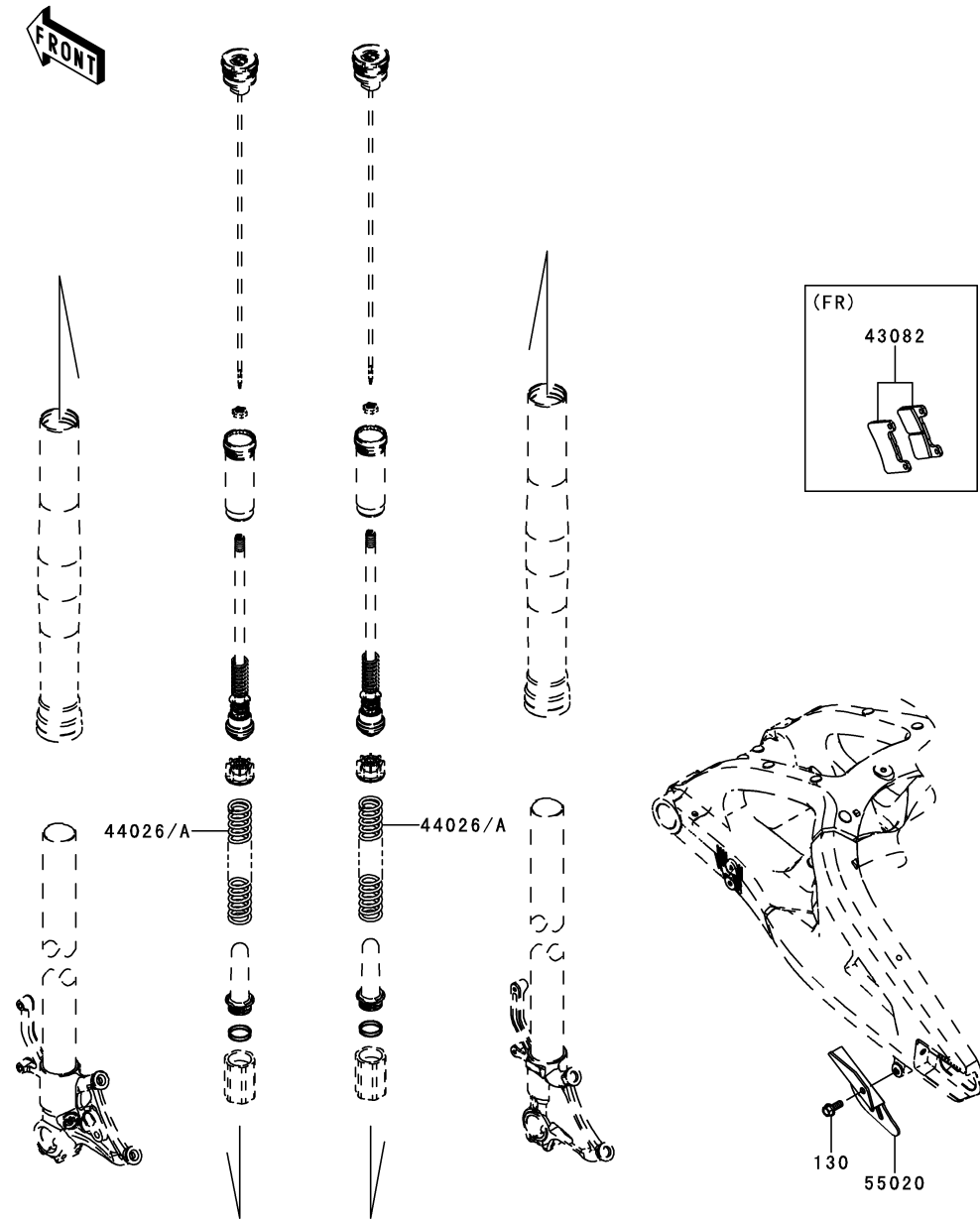


F2130



Ref. No.	Part No.	Description	Spec Code	Quantity-ZX1000	
				'11	JBFR
31064	31064-0187 (OPTION)	PIPE-COMP,GRIP			1
32099	32099-0046 (OPTION)	CASE,UPP			1
32099A	32099-0047 (OPTION)	CASE,LWR			1
54012	54012-0570 (OPTION)	CABLE-THROTTLE,HI			2
59101	59101-0008 (OPTION)	REEL,R19.7,65DEG			1
59101A	59101-0009 (OPTION)	REEL,R21.4,60DEG			1
92026	92026-0724 (OPTION)	SPACER,REAR HEIGHT ADJ.,SET			1
92152	92152-0798 (OPTION)	COLLAR,8X16X3.5			1
120	120CA0518 (OPTION)	BOLT-SOCKET,5X18			2
132	132BA0830 (OPTION)	BOLT-FLANGED-SMALL,8X30			2
670	670B2012 (OPTION)	O RING,12MM			1

F2340



Ref. No.	Part No.	Description	Spec Code	Quantity-ZX1000			
				'11			
43082	43082-0088 (OPTION)	PAD-ASSY-BRAKE,FR,F9633				2	
44026	44026-0163 (OPTION)	SPRING-FRONT FORK,K=9.75N/MM				2	
44026A	44026-0164 (OPTION)	SPRING-FRONT FORK,K=10.75N/MM				2	
55020	55020-0795 (OPTION)	GUARD,CHAIN				1	
130	130BA0820 (OPTION)	BOLT-FLANGED,8X20				1	

***Racing Kit Parts List***  
**ZX-10R '16**

This catalog covers:

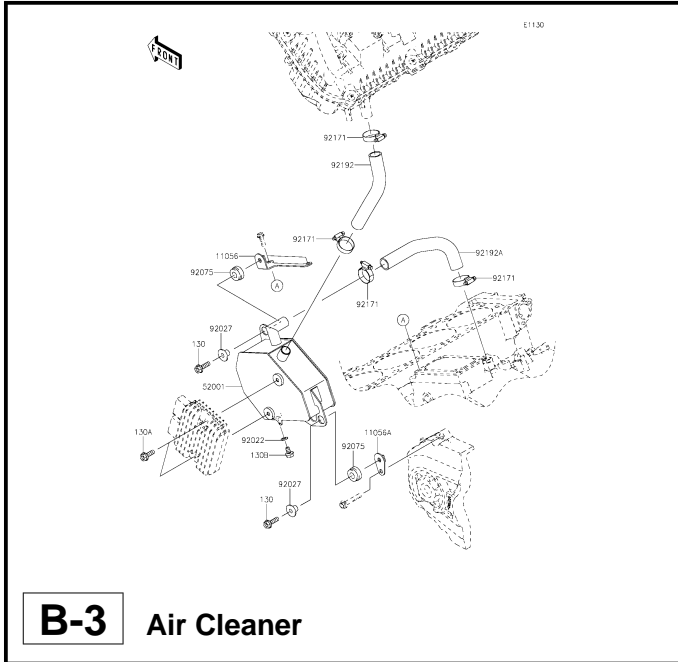
# '16 ZX1000 RGFR/SGFR Engine

GRID NO.

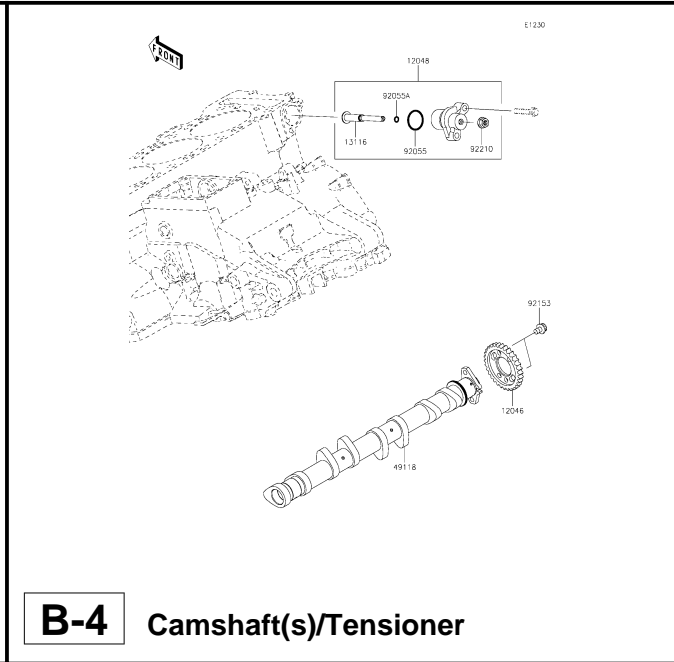
**B-1**

This grid covers:

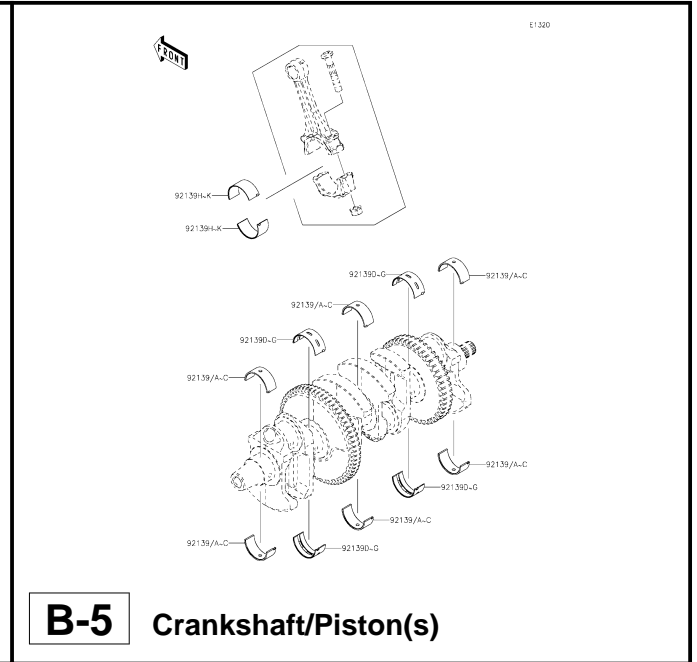
# Pictorial Index



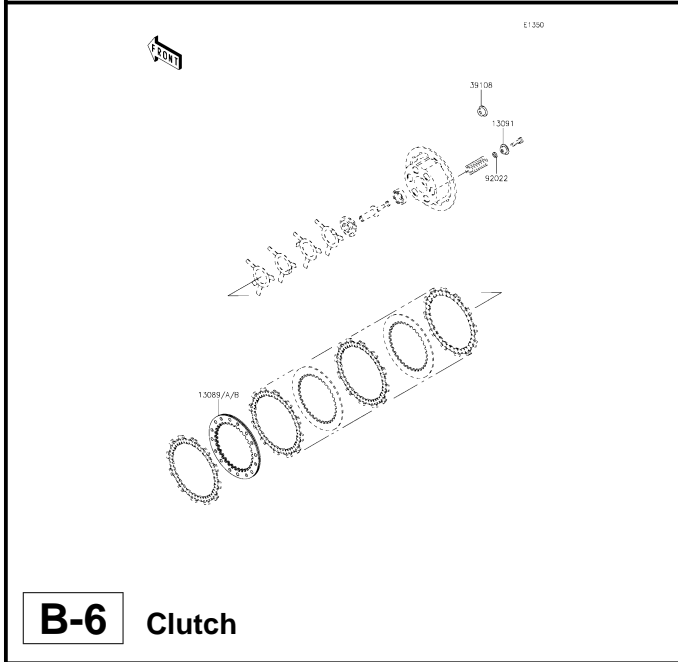
**B-3** Air Cleaner



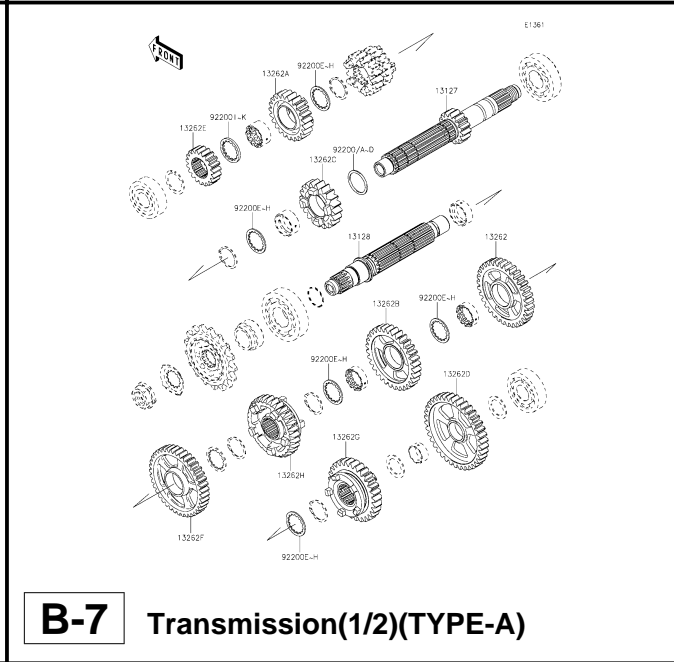
**B-4** Camshaft(s)/Tensioner



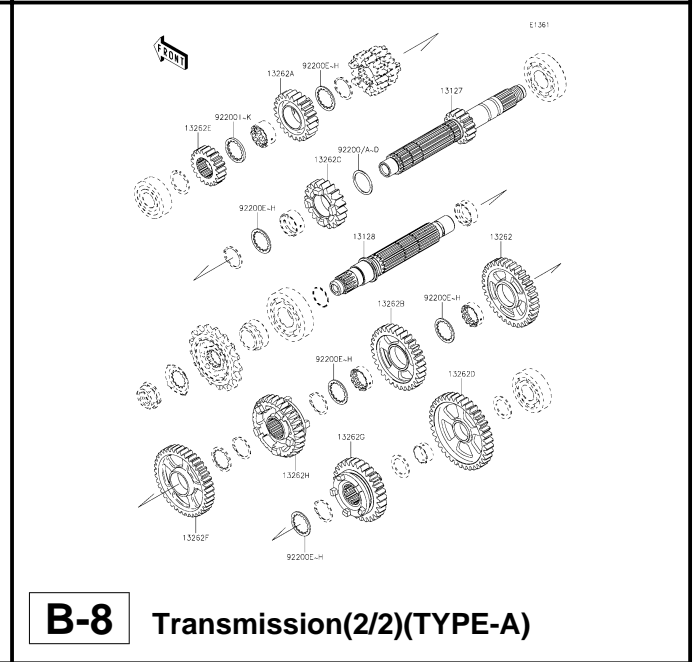
**B-5** Crankshaft/Piston(s)



**B-6** Clutch



**B-7** Transmission(1/2)(TYPE-A)



**B-8** Transmission(2/2)(TYPE-A)



This catalog covers:

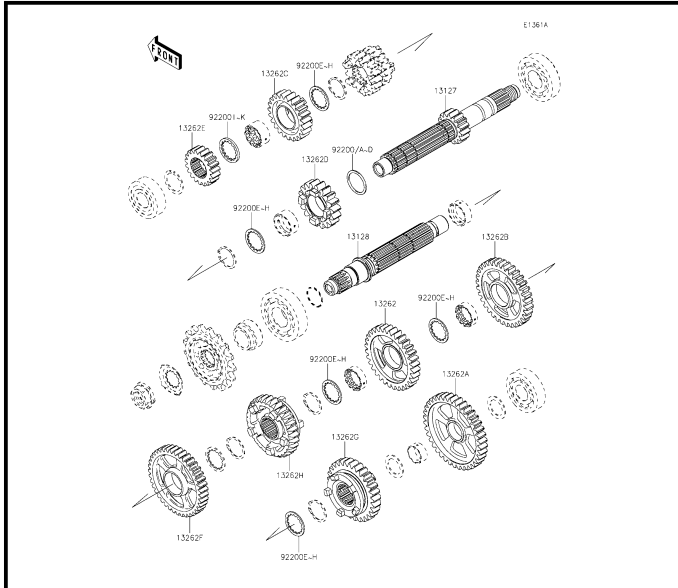
# '16 ZX1000 RGFR/SGFR Engine

GRID NO.

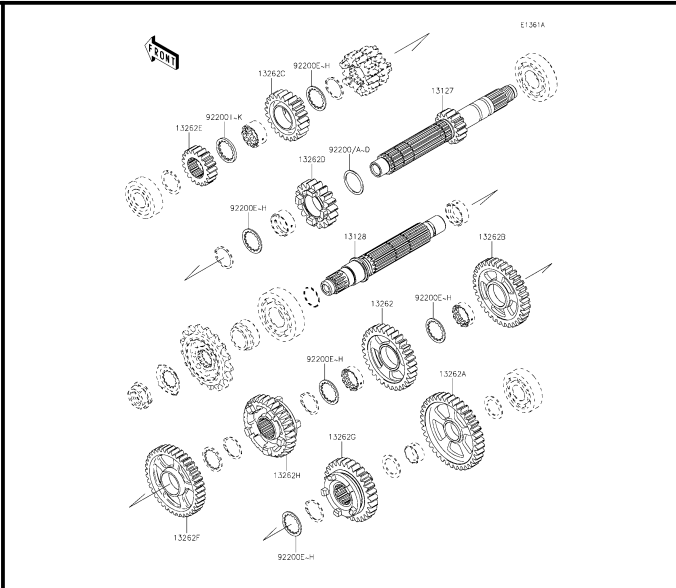
**B-2**

This grid covers:

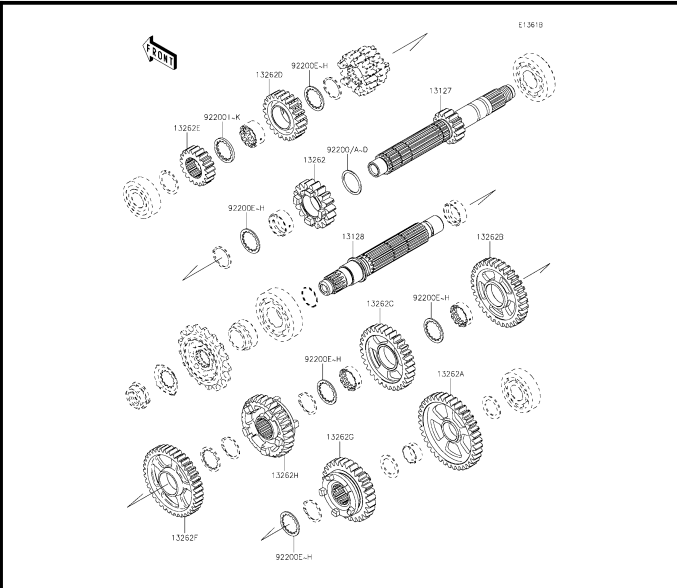
# Pictorial Index



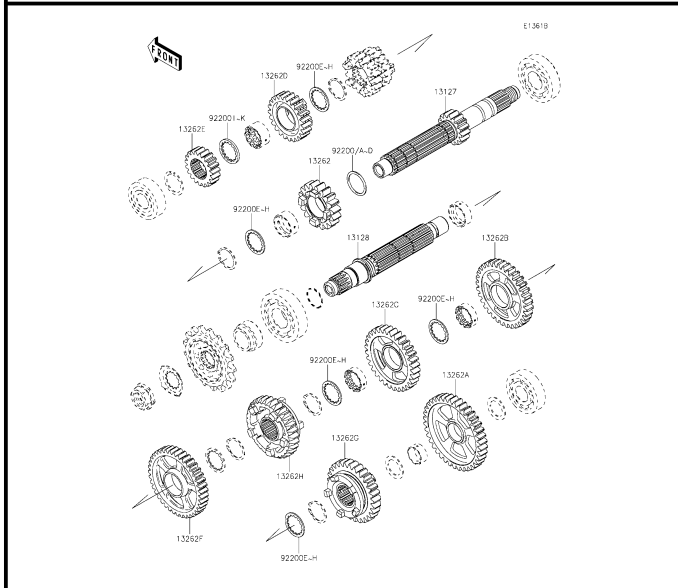
**B-9** Transmission(1/2)(TYPE-B)



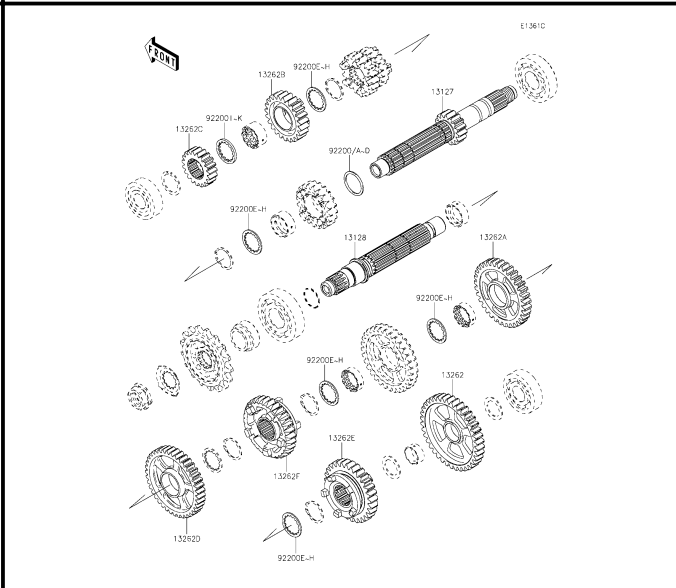
**B-10** Transmission(2/2)(TYPE-B)



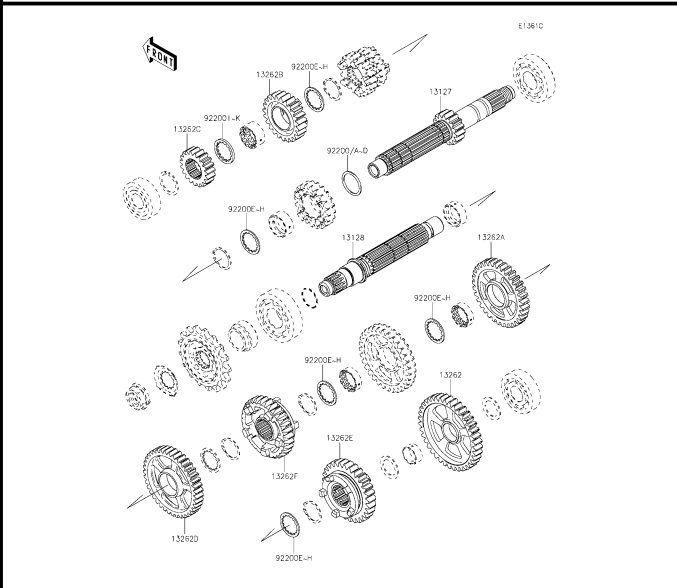
**B-11** Transmission(1/2)(TYPE-C)



**B-12** Transmission(2/2)(TYPE-C)



**B-13** Transmission(1/2)(TYPE-D)



**B-14** Transmission(2/2)(TYPE-D)

This catalog covers:

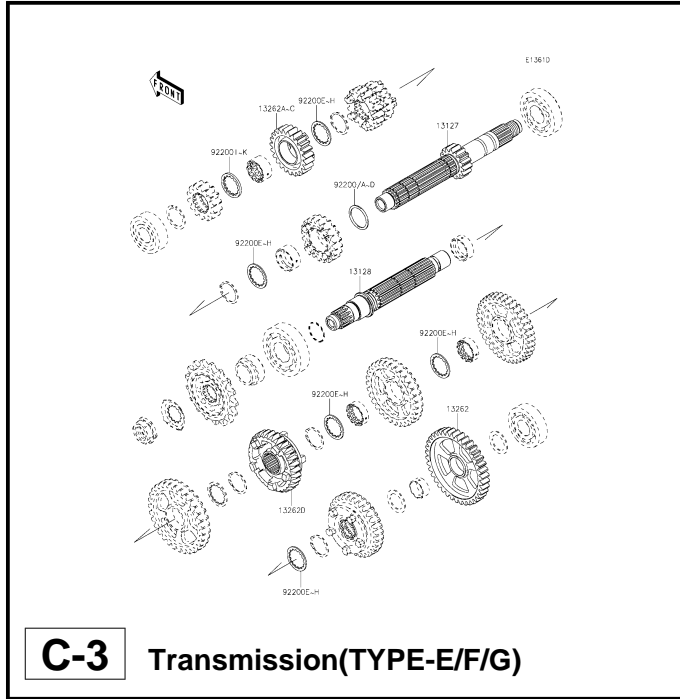
# '16 ZX1000 RGFR/SGFR Engine

GRID NO.

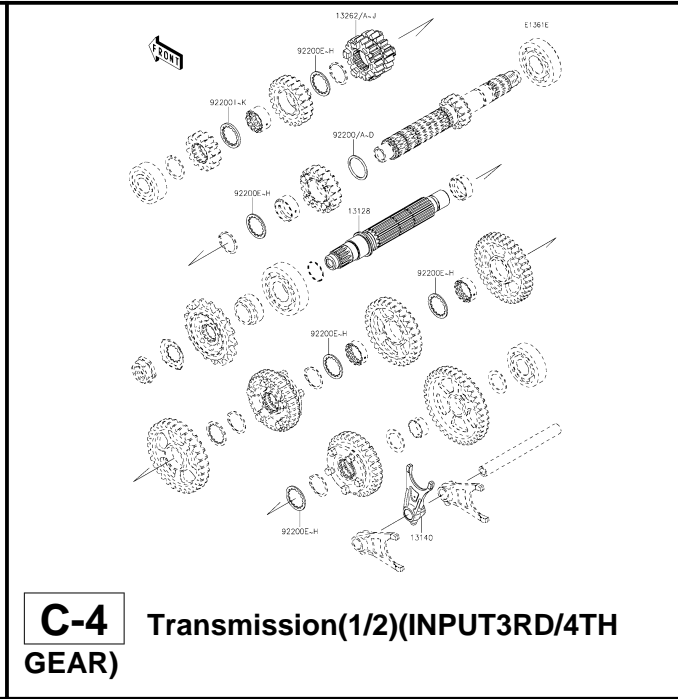
**C-1**

This grid covers:

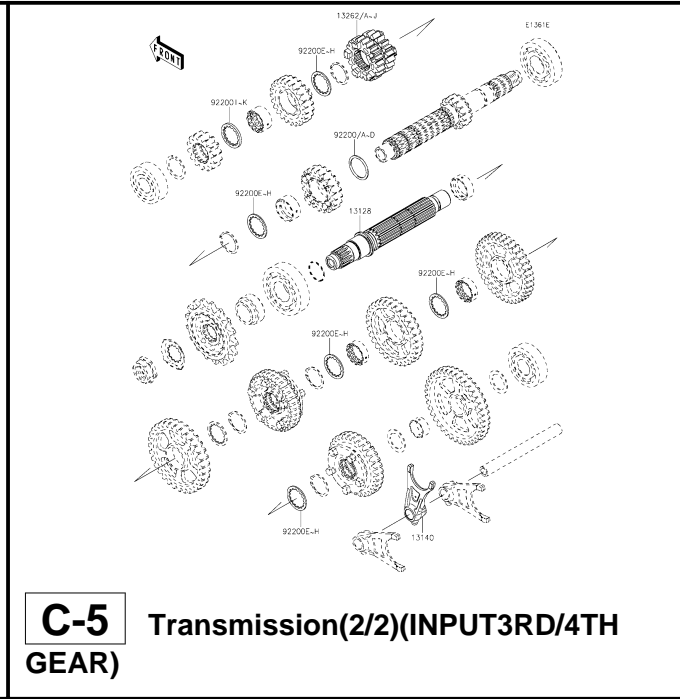
# Pictorial Index



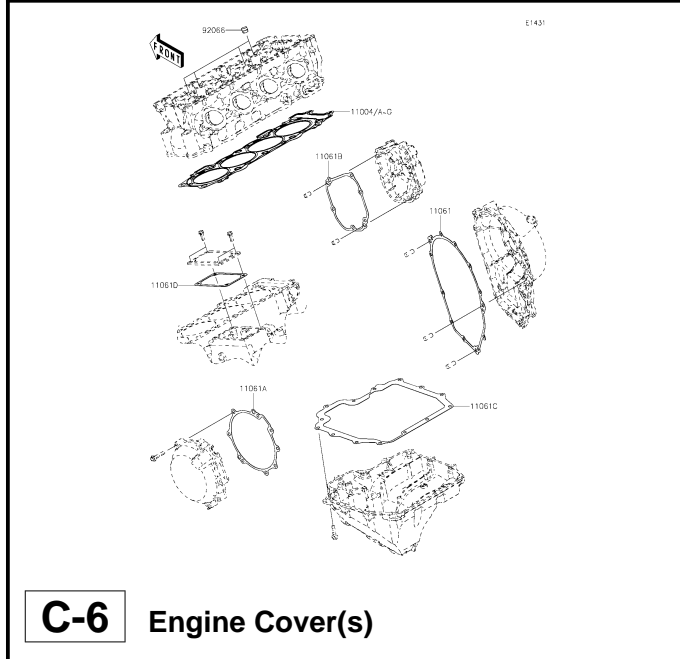
**C-3** Transmission(TYPE-E/F/G)



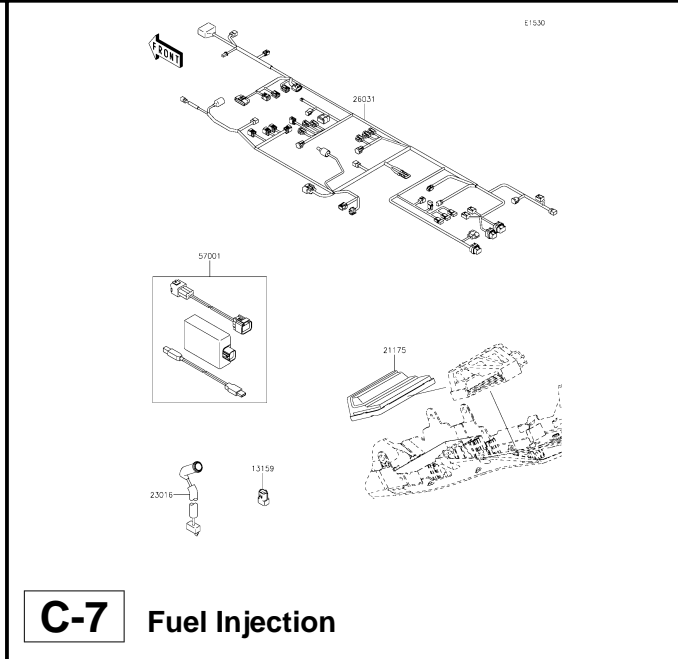
**C-4** Transmission(1/2)(INPUT3RD/4TH GEAR)



**C-5** Transmission(2/2)(INPUT3RD/4TH GEAR)



**C-6** Engine Cover(s)



**C-7** Fuel Injection

*This catalog covers:*

**'16 ZX1000 RGFR/SGFR Engine**

*GRID NO.*

**C-2**

*This grid covers:*

**Pictorial Index**


This catalog covers:

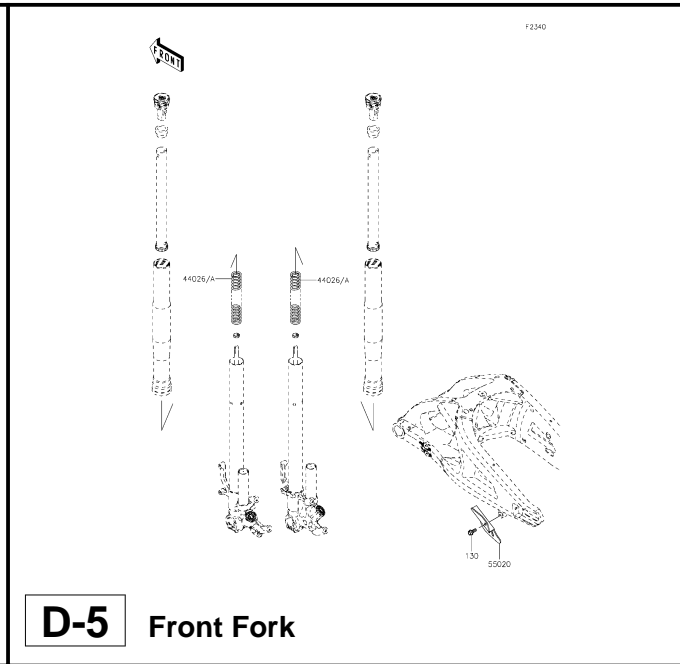
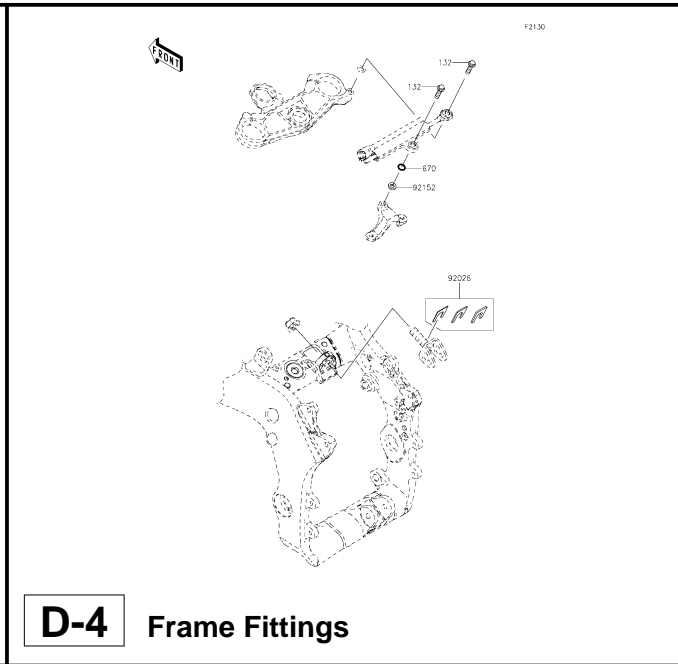
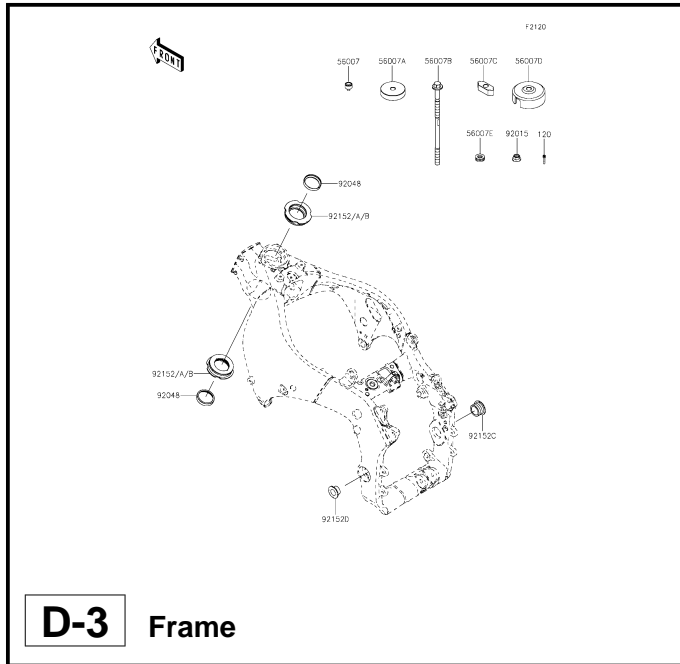
# '16 ZX1000 RGFR/SGFR Chassis

GRID NO.

**D-1**

This grid covers:

# Pictorial Index



*This catalog covers:*

**'16 ZX1000 RGFR/SGFR Chassis**

*GRID NO.*

**D-2**

*This grid covers:*

**Pictorial Index**


This catalog covers:

# '16 ZX1000 RGFR/SGFR Engine

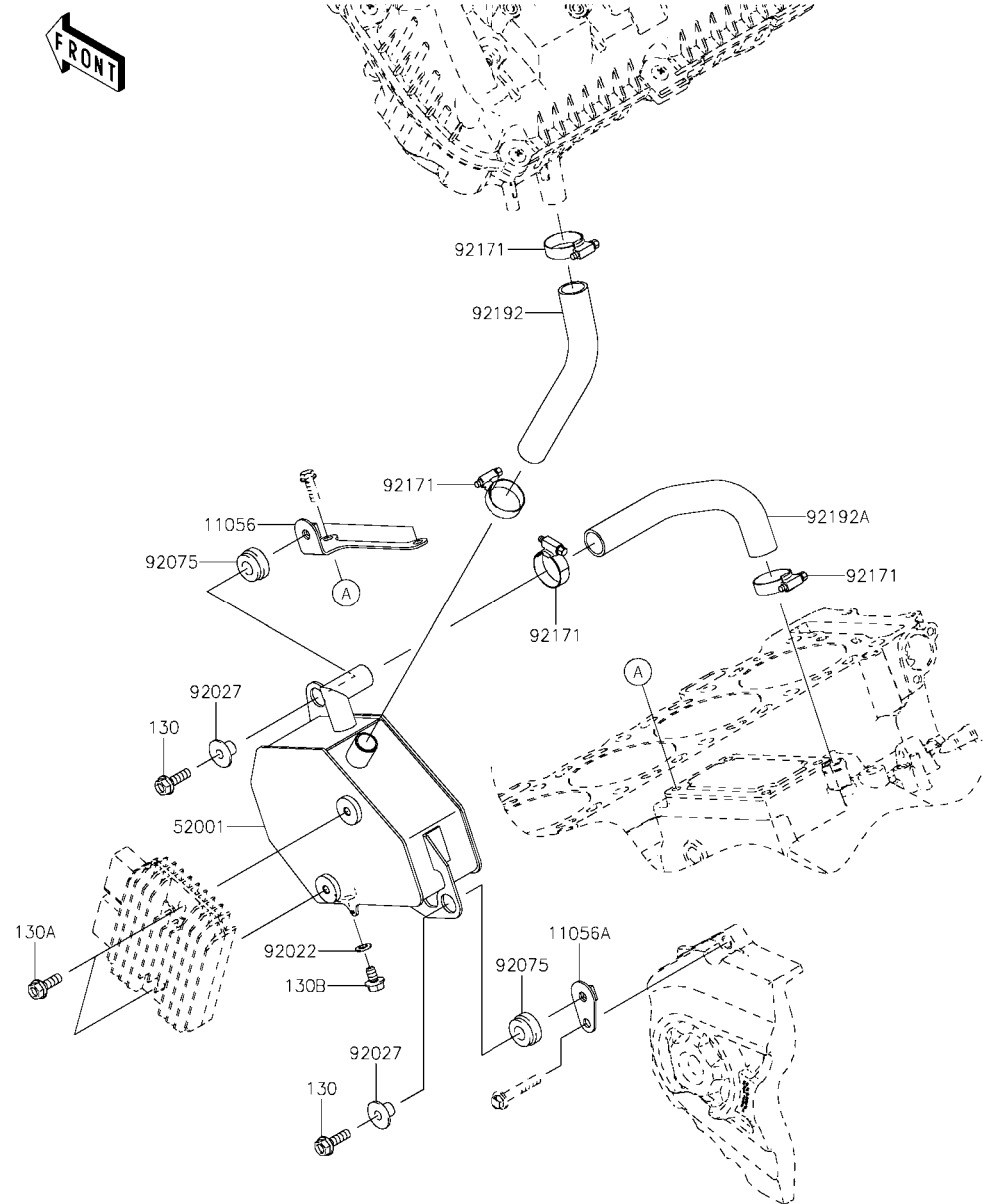
GRID NO.

**B-3**

This grid covers:

# Air Cleaner

E1130



Ref. No.	Part No.	Description	Spec Code	Quantity-ZX1000			
				'16	'16		
				RGFR	SGFR		
11056	11056-1232 (OPTION)	BRACKET,OIL TANK,UPP	1	1			
11056A	11056-1233 (OPTION)	BRACKET,OIL TANK,LWR	1	1			
52001	52001-0009 (OPTION)	TANK-OIL	1	1			
92022	92022-304 (OPTION)	WASHER,6.2X11X1	1	1			
92027	92027-194 (OPTION)	COLLAR,L=11.1	2	2			
92075	92075-277 (OPTION)	DAMPER	2	2			
92171	92171-0338 (OPTION)	CLAMP	4	4			
92192	92192-1025 (OPTION)	TUBE,TANK-A/C	1	1			
92192A	92192-1026 (OPTION)	TUBE,CASE-TANK	1	1			
130	130BA0620 (OPTION)	BOLT-FLANGED,6X20	2	2			
130A	130BB0618 (OPTION)	BOLT-FLANGED,6X18	2	2			
130B	130BD0610 (OPTION)	BOLT-FLANGED,6X10	1	1			

This catalog covers:

'16 ZX1000 RGFR/SGFR Engine

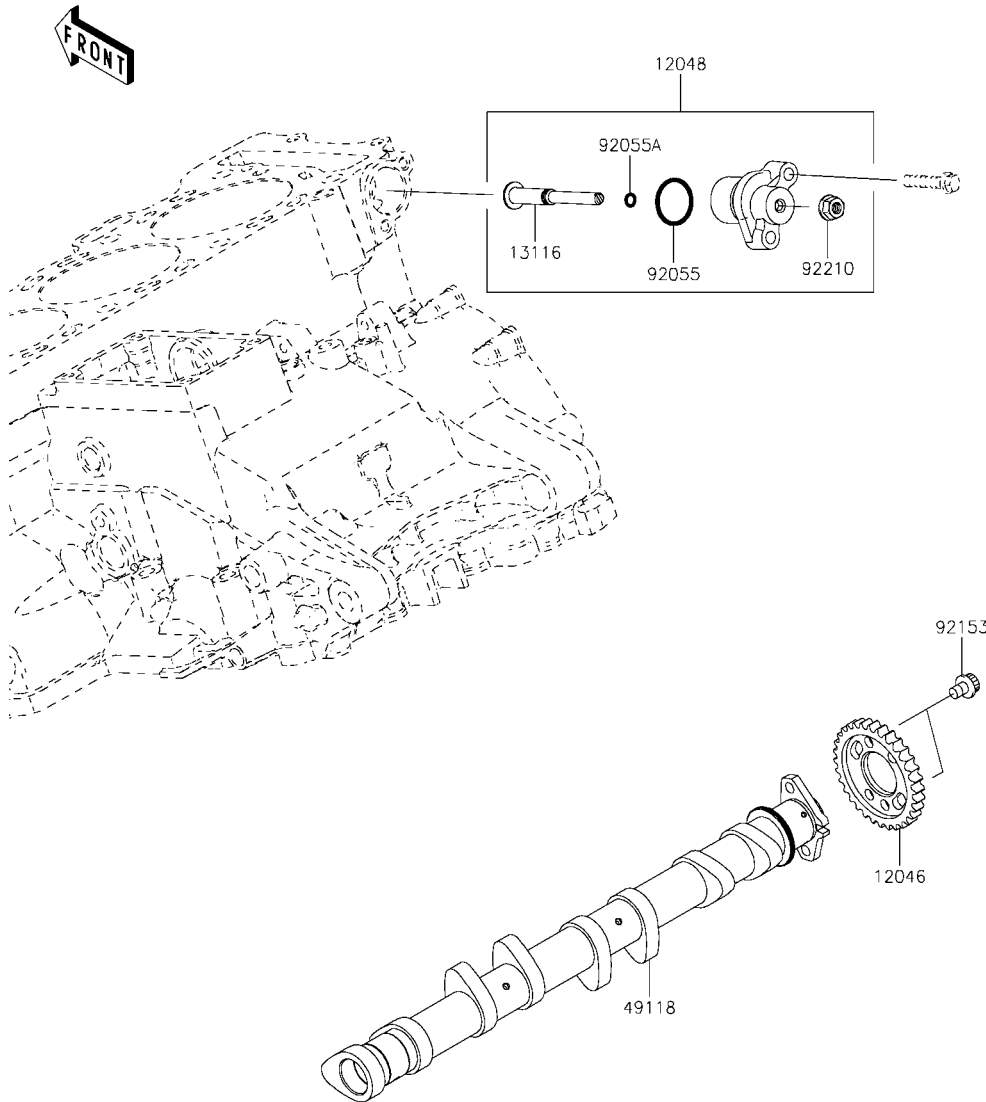
GRID NO.

**B-4**

This grid covers:

**Camshaft(s)/Tensioner**

E1230



Ref. No.	Part No.	Description	Spec Code	Quantity-ZX1000			
				'16	'16		
				RGFR	SGFR		
12046	12046-0034 (OPTION)	SPROCKET,32T		1	1		
12048	12048-0082 (OPTION)	TENSIONER-ASSY		1	1		
13116	13116-1166 (OPTION)	ROD-PUSH		1	1		
49118	49118-0728 (OPTION)	CAMSHAFT-COMP,INTAKE		1	1		
92055	92055-0053 (OPTION)	RING-O,20.8X1.9		1	1		
92055A	92055-011 (OPTION)	RING-O,5MM		1	1		
92153	92153-0455 (OPTION)	BOLT,FLANGED,6X8		2	2		
92210	92210-0630 (OPTION)	NUT,FLANGED,6MM		1	1		

This catalog covers:

'16 ZX1000 RGFR/SGFR Engine

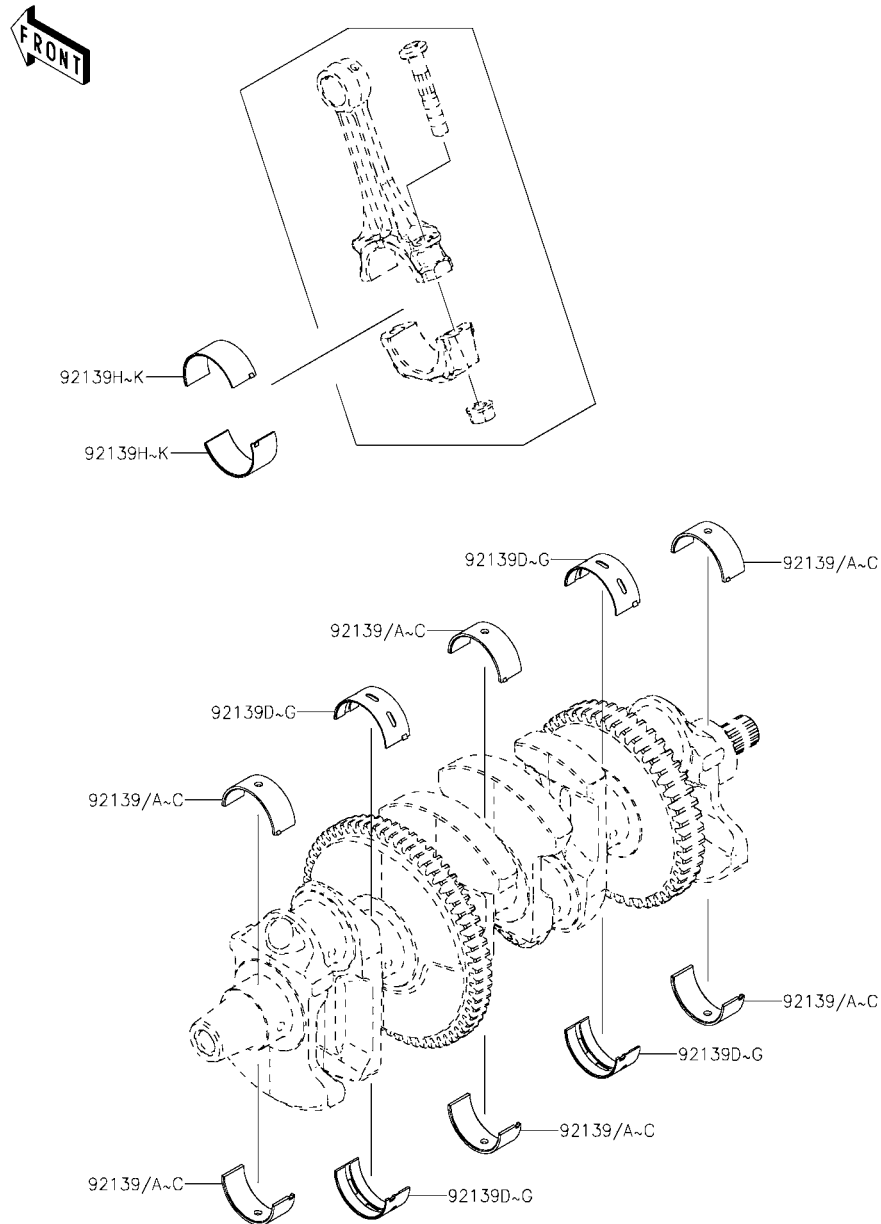
GRID NO.

**B-5**

This grid covers:

**Crankshaft/Piston(s)**

E1320



Ref. No.	Part No.	Description	Spec Code	Quantity-ZX1000			
				'16	'16		
				RGFR	SGFR		
92139	92139-0746 (OPTION)	BUSHING,#1&#3&#5,BLUE	AR	AR			
92139A	92139-0747 (OPTION)	BUSHING,#1&#3&#5,BLACK	6	6			
92139B	92139-0748 (OPTION)	BUSHING,#1&#3&#5,BROWN	AR	AR			
92139C	92139-0749 (OPTION)	BUSHING,#1&#3&#5,PINK	AR	AR			
92139D	92139-0750 (OPTION)	BUSHING,#2&#4,BLUE	AR	AR			
92139E	92139-0751 (OPTION)	BUSHING,#2&#4,BLACK	4	4			
92139F	92139-0752 (OPTION)	BUSHING,#2&#4,BROWN	AR	AR			
92139G	92139-0753 (OPTION)	BUSHING,#2&#4,PINK	AR	AR			
92139H	92139-0754 (OPTION)	BUSHING,CONROD,BLUE	AR	AR			
92139I	92139-0755 (OPTION)	BUSHING,CONROD,BLACK	AR	AR			
92139J	92139-0756 (OPTION)	BUSHING,CONROD,BROWN	8	8			
92139K	92139-0757 (OPTION)	BUSHING,CONROD,PINK	AR	AR			



This catalog covers:

'16 ZX1000 RGFR/SGFR Engine

GRID NO.

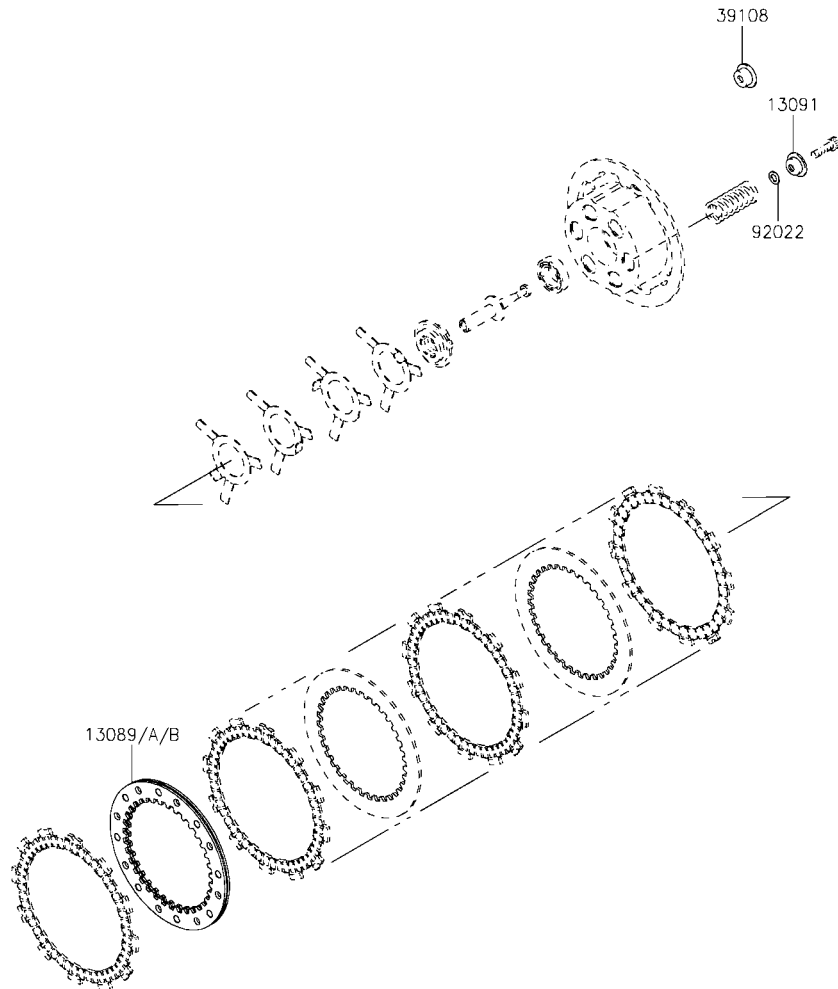
**B-6**

This grid covers:

**Clutch**



E1350



Ref. No.	Part No.	Description	Spec Code	Quantity-ZX1000			
				'16	'16		
				RGFR	SGFR		
13089	13089-0003 (OPTION)	PLATE-CLUTCH,SPG COMP		1	1		
13089A	13089-0011 (OPTION)	PLATE-CLUTCH,STD +40%		1	1		
13089B	13089-0012 (OPTION)	PLATE-CLUTCH,STD +60%		1	1		
13091	13091-1041 (OPTION)	HOLDER,CLUTCH SPRING		6	6		
39108	39108-0005 (OPTION)	RETAINER-SPRING,STD+1MM		6	6		
92022	92022-304 (OPTION)	WASHER,6.2X11X1		6	6		

This catalog covers:

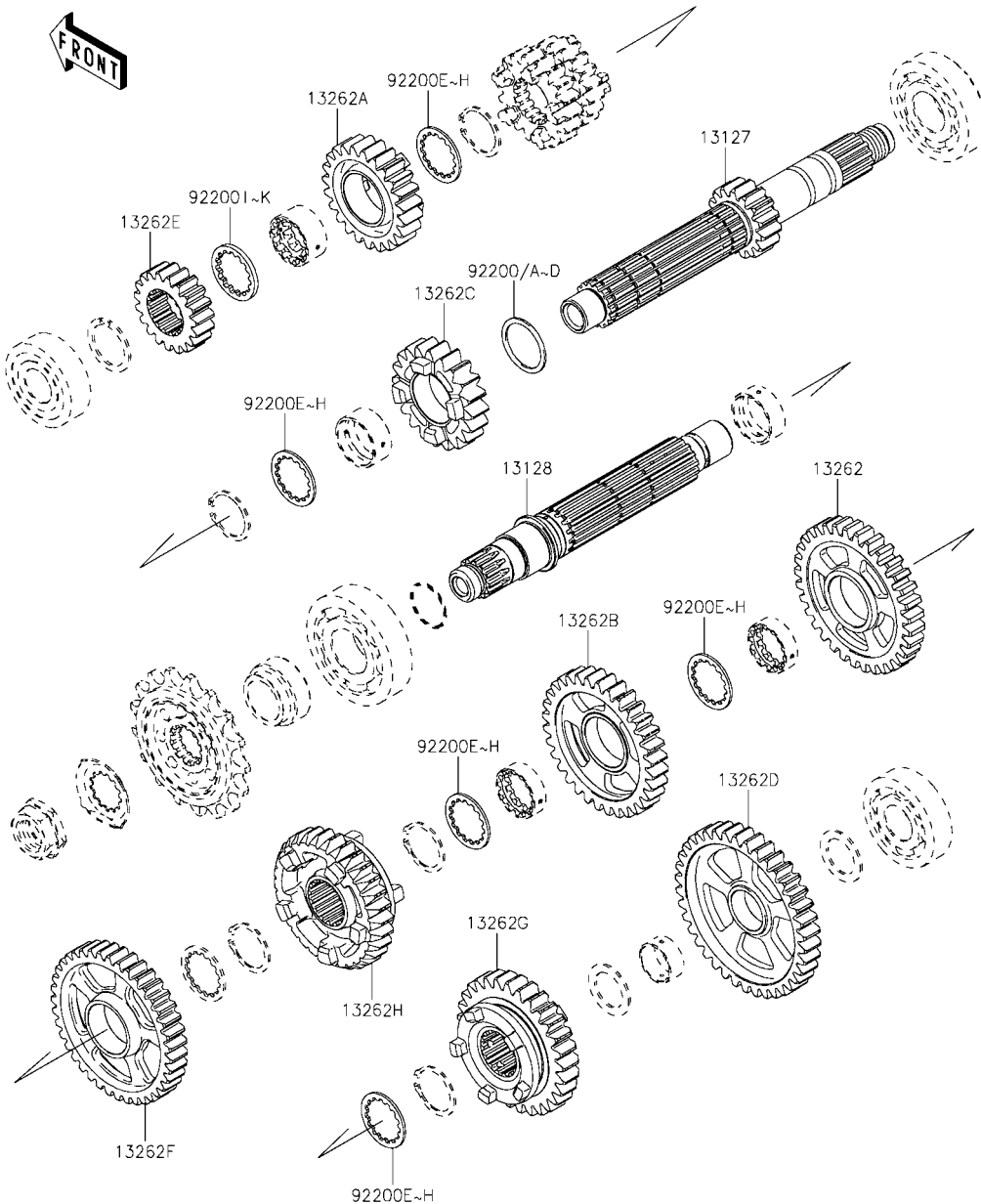
'16 ZX1000 RGFR/SGFR Engine

GRID NO.

**B-7**

This grid covers:

**Transmission(1/2)(TYPE-A)**



Ref. No.	Part No.	Description	Spec Code	Quantity-ZX1000			
				'16	'16		
				RGFR	SGFR		
13127	13127-0638 (OPTION)	SHAFT-TRANSMISSION INPUT,15T	1	1			
13128	13128-0671 (OPTION)	SHAFT-TRANSMISSION OUTPUT	1	1			
13262	13262-0618 (OPTION)	GEAR,OUTPUT 3RD,33T	1	1			
13262A	13262-0622 (OPTION)	GEAR,INPUT 6TH,23T	1	1			
13262B	13262-0645 (OPTION)	GEAR,OUTPUT 4TH,32T	1	1			
13262C	13262-0648 (OPTION)	GEAR,INPUT 5TH,21T	1	1			
13262D	13262-0664 (OPTION)	GEAR,OUTPUT LOW,38T	1	1			
13262E	13262-0856 (OPTION)	GEAR,INPUT 2ND,19T	1	1			
13262F	13262-0880 (OPTION)	GEAR,OUTPUT 2ND,39T	1	1			
13262G	13262-0901 (OPTION)	GEAR,OUTPUT 5TH,29T	1	1			
13262H	13262-0905 (OPTION)	GEAR,OUTPUT 6TH,30T	1	1			
92200	92200-0051 (OPTION)	WASHER,28.1X34.0X1.2	AR	AR			
92200A	92200-0225 (OPTION)	WASHER,28.1X34.0X0.8	AR	AR			
92200B	92200-0226 (OPTION)	WASHER,28.1X34.0X1.0	AR	AR			
92200C	92200-0227 (OPTION)	WASHER,28.1X34.0X1.4	AR	AR			
92200D	92200-0228 (OPTION)	WASHER,28.1X34.0X1.6	AR	AR			
92200E	92200-0229 (OPTION)	WASHER,28.3X34.0X1.2	AR	AR			
92200F	92200-0230 (OPTION)	WASHER,28.3X34.0X1.4	AR	AR			
92200G	92200-0231 (OPTION)	WASHER,28.3X34.0X1.8	AR	AR			
92200H	92200-0232 (OPTION)	WASHER,28.3X34.0X2.0	AR	AR			

This catalog covers:

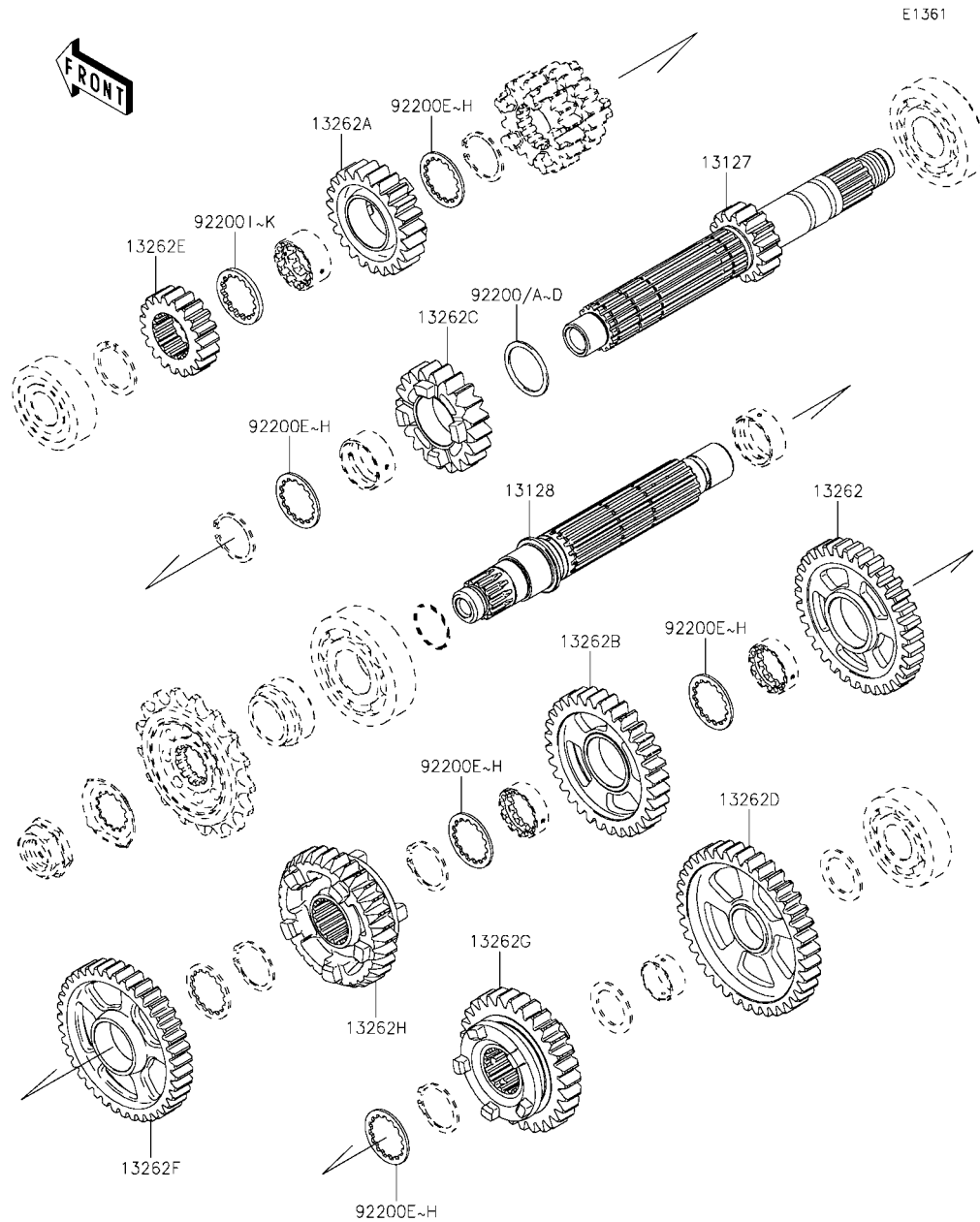
# '16 ZX1000 RGFR/SGFR Engine

GRID NO.

**B-8**

This grid covers:

# Transmission(2/2)(TYPE-A)



Ref. No.	Part No.	Description	Spec Code	Quantity-ZX1000			
				'16	'16		
				RGFR	SGFR		
92200I	92200-0748 (OPTION)	WASHER,28.3X34.0X2.6		AR	AR		
92200J	92200-0749 (OPTION)	WASHER,28.3X34.0X2.8		AR	AR		
92200K	92200-0750 (OPTION)	WASHER,28.3X34.0X3.0		AR	AR		

This catalog covers:

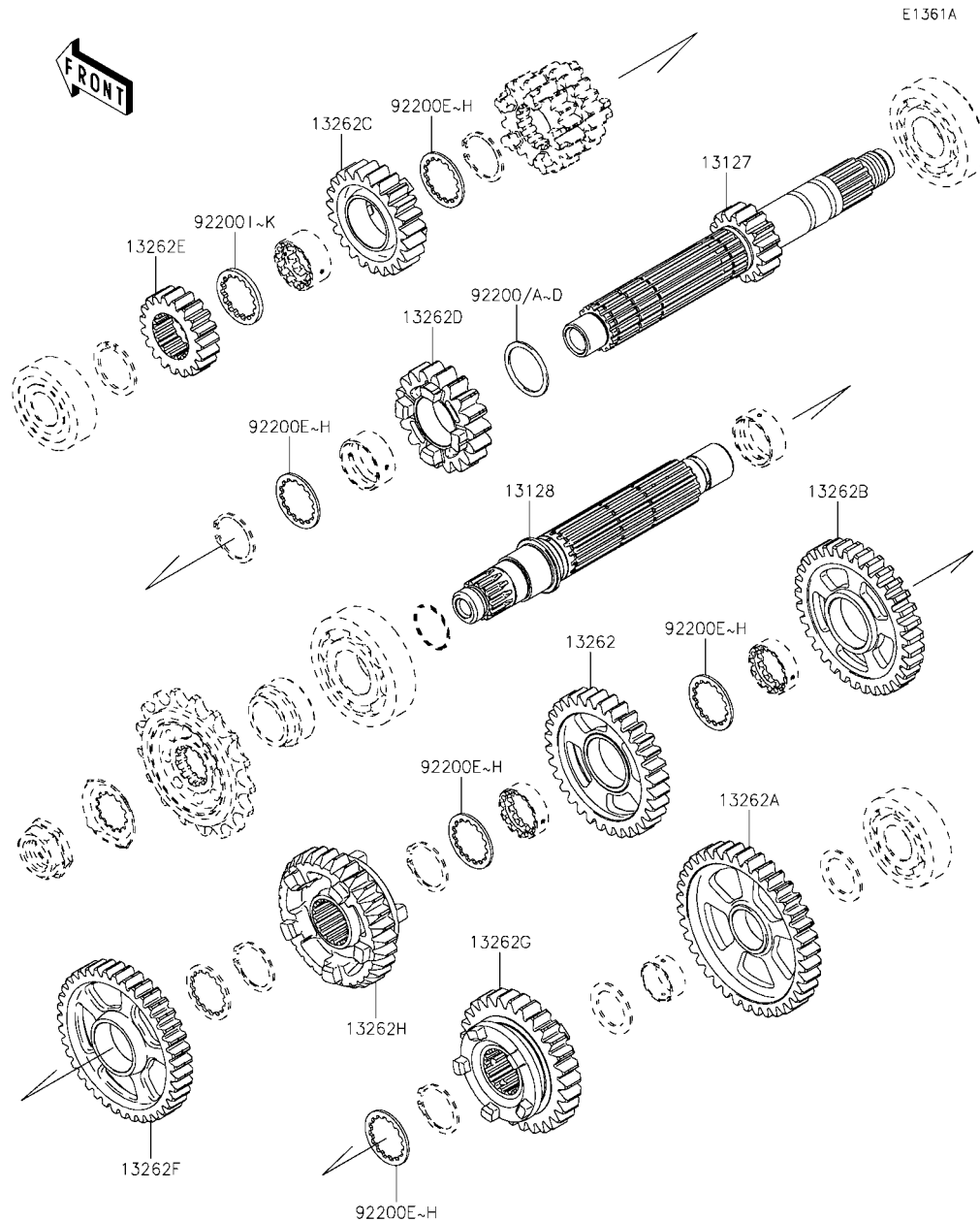
'16 ZX1000 RGFR/SGFR Engine

GRID NO.

**B-9**

This grid covers:

Transmission(1/2)(TYPE-B)



Ref. No.	Part No.	Description	Spec Code	Quantity-ZX1000			
				'16 RGFR	'16 SGFR		
13127	13127-0639 (OPTION)	SHAFT-TRANSMISSION INPUT,13T		1	1		
13128	13128-0671 (OPTION)	SHAFT-TRANSMISSION OUTPUT		1	1		
13262	13262-0619 (OPTION)	GEAR,OUTPUT 4TH,31T		1	1		
13262A	13262-0624 (OPTION)	GEAR,OUTPUT LOW,31T		1	1		
13262B	13262-0642 (OPTION)	GEAR,OUTPUT 3RD,34T		1	1		
13262C	13262-0652 (OPTION)	GEAR,INPUT 6TH,21T		1	1		
13262D	13262-0881 (OPTION)	GEAR,INPUT 5TH,18T		1	1		
13262E	13262-0895 (OPTION)	GEAR,INPUT 2ND,19T		1	1		
13262F	13262-0898 (OPTION)	GEAR,OUTPUT 2ND,37T		1	1		
13262G	13262-0902 (OPTION)	GEAR,OUTPUT 5TH,26T		1	1		
13262H	13262-0906 (OPTION)	GEAR,OUTPUT 6TH,29T		1	1		
92200	92200-0051 (OPTION)	WASHER,28.1X34.0X1.2		AR	AR		
92200A	92200-0225 (OPTION)	WASHER,28.1X34.0X0.8		AR	AR		
92200B	92200-0226 (OPTION)	WASHER,28.1X34.0X1.0		AR	AR		
92200C	92200-0227 (OPTION)	WASHER,28.1X34.0X1.4		AR	AR		
92200D	92200-0228 (OPTION)	WASHER,28.1X34.0X1.6		AR	AR		
92200E	92200-0229 (OPTION)	WASHER,28.3X34.0X1.2		AR	AR		
92200F	92200-0230 (OPTION)	WASHER,28.3X34.0X1.4		AR	AR		
92200G	92200-0231 (OPTION)	WASHER,28.3X34.0X1.8		AR	AR		
92200H	92200-0232 (OPTION)	WASHER,28.3X34.0X2.0		AR	AR		

This catalog covers:

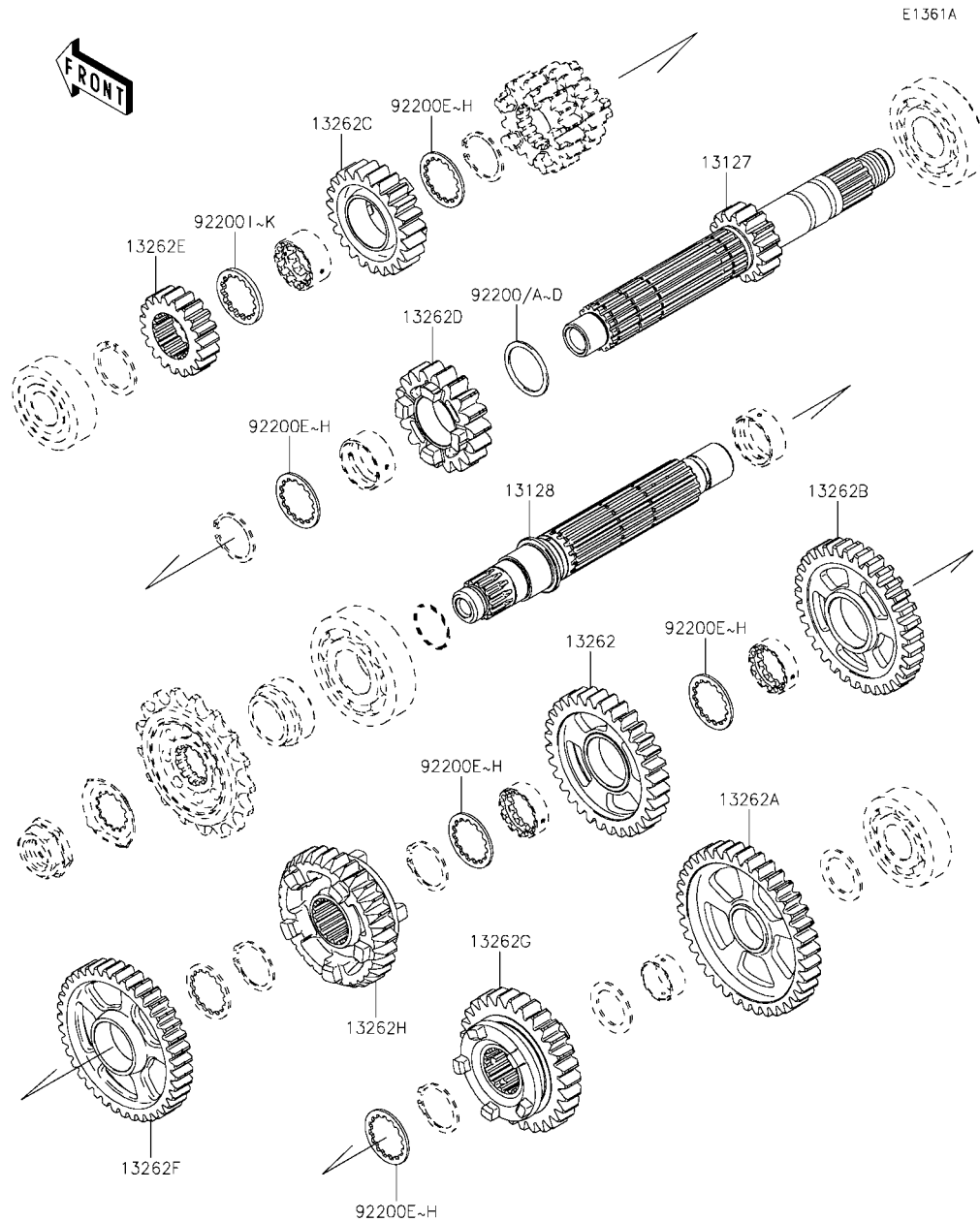
# '16 ZX1000 RGFR/SGFR Engine

GRID NO.

**B-10**

This grid covers:

# Transmission(2/2)(TYPE-B)



Ref. No.	Part No.	Description	Spec Code	Quantity-ZX1000			
				'16 RGFR	'16 SGFR		

92200I	92200-0748 (OPTION)	WASHER,28.3X34.0X2.6	AR	AR		
92200J	92200-0749 (OPTION)	WASHER,28.3X34.0X2.8	AR	AR		
92200K	92200-0750 (OPTION)	WASHER,28.3X34.0X3.0	AR	AR		

This catalog covers:

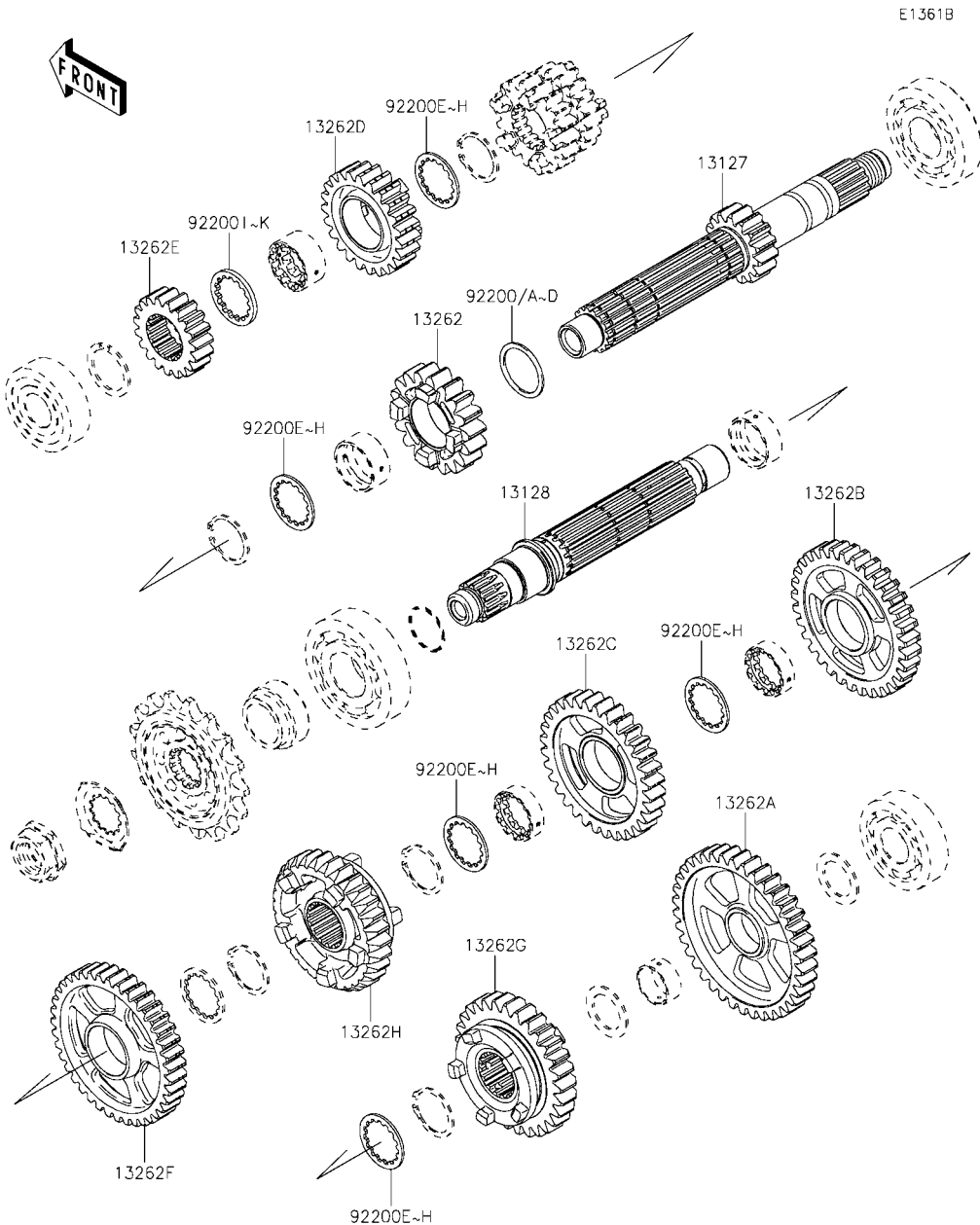
# '16 ZX1000 RGFR/SGFR Engine

GRID NO.

**B-11**

This grid covers:

# Transmission(1/2)(TYPE-C)



Ref. No.	Part No.	Description	Spec Code	Quantity-ZX1000			
				'16 RGFR	'16 SGFR		
13127	13127-0640 (OPTION)	SHAFT-TRANSMISSION INPUT,14T		1	1		
13128	13128-0671 (OPTION)	SHAFT-TRANSMISSION OUTPUT		1	1		
13262	13262-0620 (OPTION)	GEAR,INPUT 5TH,20T		1	1		
13262A	13262-0625 (OPTION)	GEAR,OUTPUT LOW,34T		1	1		
13262B	13262-0643 (OPTION)	GEAR,OUTPUT 3RD,28T		1	1		
13262C	13262-0646 (OPTION)	GEAR,OUTPUT 4TH,33T		1	1		
13262D	13262-0869 (OPTION)	GEAR,INPUT TOP,23T		1	1		
13262E	13262-0896 (OPTION)	GEAR,INPUT 2ND,18T		1	1		
13262F	13262-0899 (OPTION)	GEAR,OUTPUT 2ND,38T		1	1		
13262G	13262-0903 (OPTION)	GEAR,OUTPUT 5TH,28T		1	1		
13262H	13262-0907 (OPTION)	GEAR,OUTPUT 6TH,31T		1	1		
92200	92200-0051 (OPTION)	WASHER,28.1X34.0X1.2		AR	AR		
92200A	92200-0225 (OPTION)	WASHER,28.1X34.0X0.8		AR	AR		
92200B	92200-0226 (OPTION)	WASHER,28.1X34.0X1.0		AR	AR		
92200C	92200-0227 (OPTION)	WASHER,28.1X34.0X1.4		AR	AR		
92200D	92200-0228 (OPTION)	WASHER,28.1X34.0X1.6		AR	AR		
92200E	92200-0229 (OPTION)	WASHER,28.3X34.0X1.2		AR	AR		
92200F	92200-0230 (OPTION)	WASHER,28.3X34.0X1.4		AR	AR		
92200G	92200-0231 (OPTION)	WASHER,28.3X34.0X1.8		AR	AR		
92200H	92200-0232 (OPTION)	WASHER,28.3X34.0X2.0		AR	AR		

This catalog covers:

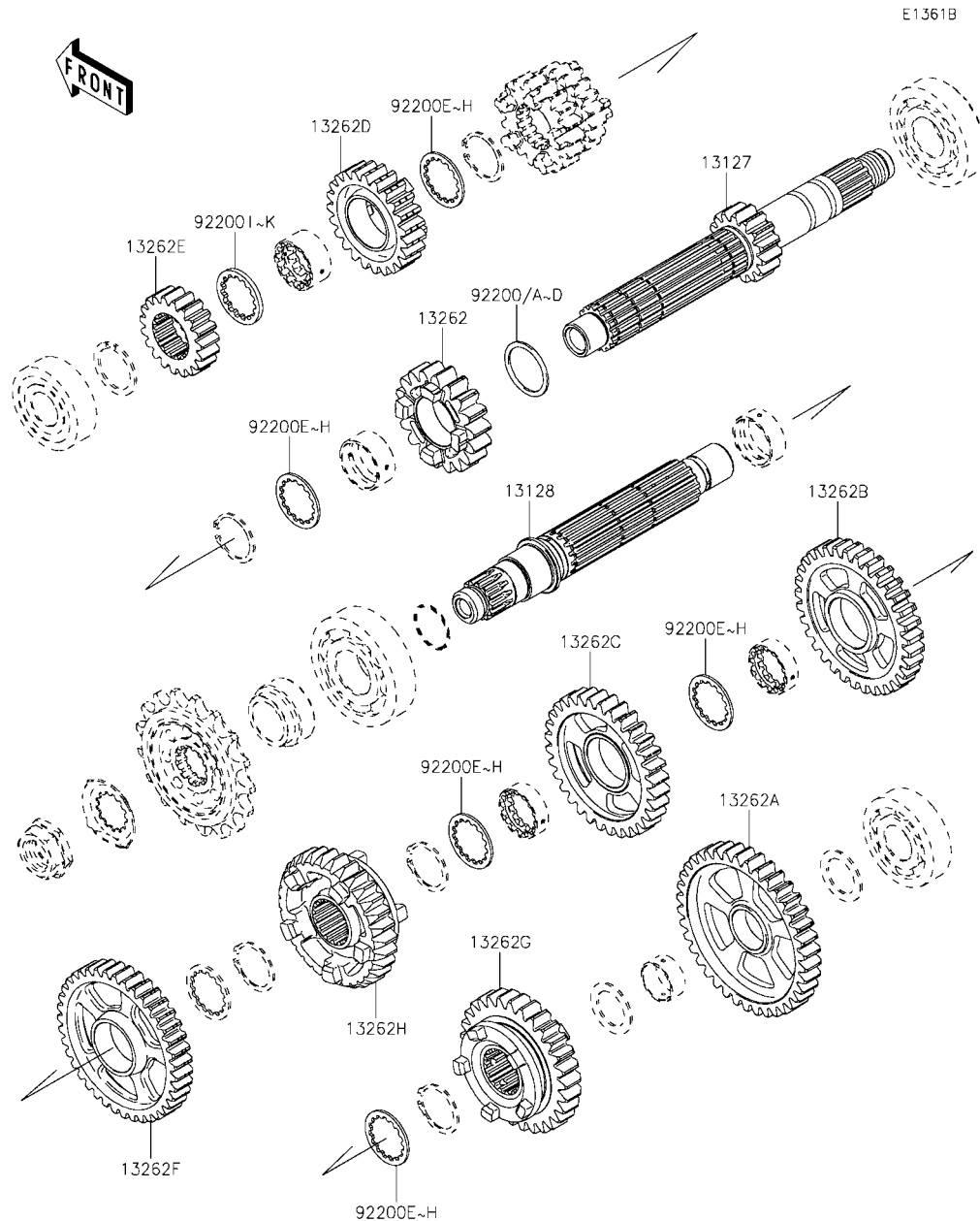
# '16 ZX1000 RGFR/SGFR Engine

GRID NO.

**B-12**

This grid covers:

# Transmission(2/2)(TYPE-C)



Ref. No.	Part No.	Description	Spec Code	Quantity-ZX1000			
				'16	'16		
				RGFR	SGFR		
92200I	92200-0748 (OPTION)	WASHER,28.3X34.0X2.6	AR	AR			
92200J	92200-0749 (OPTION)	WASHER,28.3X34.0X2.8	AR	AR			
92200K	92200-0750 (OPTION)	WASHER,28.3X34.0X3.0	AR	AR			

This catalog covers:

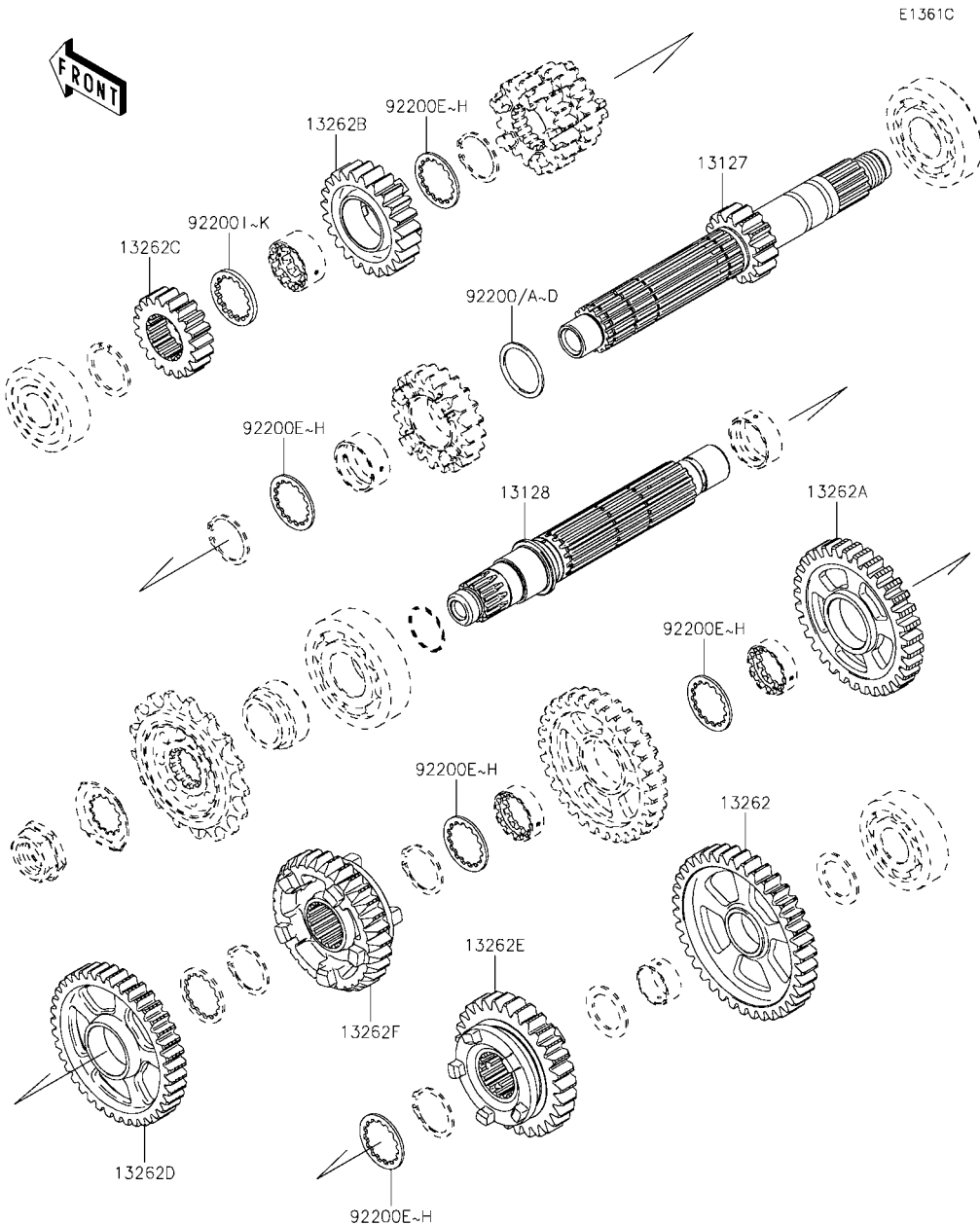
'16 ZX1000 RGFR/SGFR Engine

GRID NO.

**B-13**

This grid covers:

**Transmission(1/2)(TYPE-D)**



Ref. No.	Part No.	Description	Spec Code	Quantity-ZX1000			
				'16 RGFR	'16 SGFR		
13127	13127-0641 (OPTION)	SHAFT-TRANSMISSION INPUT,16T		1	1		
13128	13128-0671 (OPTION)	SHAFT-TRANSMISSION OUTPUT		1	1		
13262	13262-0626 (OPTION)	GEAR,OUTPUT LOW,37T		1	1		
13262A	13262-0644 (OPTION)	GEAR,OUTPUT 3RD,36T		1	1		
13262B	13262-0654 (OPTION)	GEAR,INPUT 6TH,22T		1	1		
13262C	13262-0897 (OPTION)	GEAR,INPUT 2ND,18T		1	1		
13262D	13262-0900 (OPTION)	GEAR,OUTPUT 2ND,36T		1	1		
13262E	13262-0904 (OPTION)	GEAR,OUTPUT 5TH,30T		1	1		
13262F	13262-0908 (OPTION)	GEAR,OUTPUT 6TH,28T		1	1		
92200	92200-0051 (OPTION)	WASHER,28.1X34.0X1.2		AR	AR		
92200A	92200-0225 (OPTION)	WASHER,28.1X34.0X0.8		AR	AR		
92200B	92200-0226 (OPTION)	WASHER,28.1X34.0X1.0		AR	AR		
92200C	92200-0227 (OPTION)	WASHER,28.1X34.0X1.4		AR	AR		
92200D	92200-0228 (OPTION)	WASHER,28.1X34.0X1.6		AR	AR		
92200E	92200-0229 (OPTION)	WASHER,28.3X34.0X1.2		AR	AR		
92200F	92200-0230 (OPTION)	WASHER,28.3X34.0X1.4		AR	AR		
92200G	92200-0231 (OPTION)	WASHER,28.3X34.0X1.8		AR	AR		
92200H	92200-0232 (OPTION)	WASHER,28.3X34.0X2.0		AR	AR		



This catalog covers:

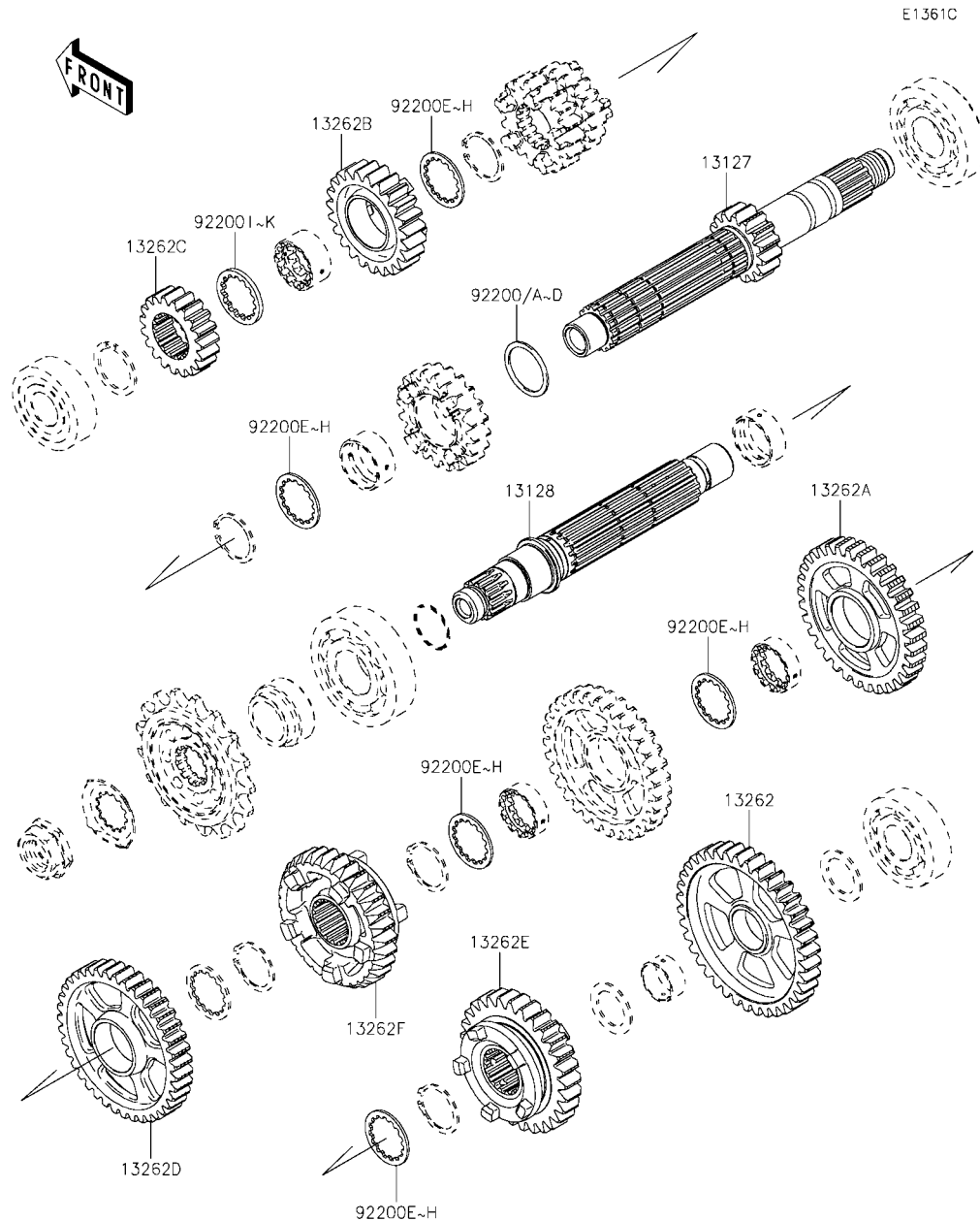
# '16 ZX1000 RGFR/SGFR Engine

GRID NO.

**B-14**

This grid covers:

# Transmission(2/2)(TYPE-D)



Ref. No.	Part No.	Description	Spec Code	Quantity-ZX1000			
				'16 RGFR	'16 SGFR		

92200I	92200-0748 (OPTION)	WASHER,28.3X34.0X2.6	AR	AR		
92200J	92200-0749 (OPTION)	WASHER,28.3X34.0X2.8	AR	AR		
92200K	92200-0750 (OPTION)	WASHER,28.3X34.0X3.0	AR	AR		

This catalog covers:

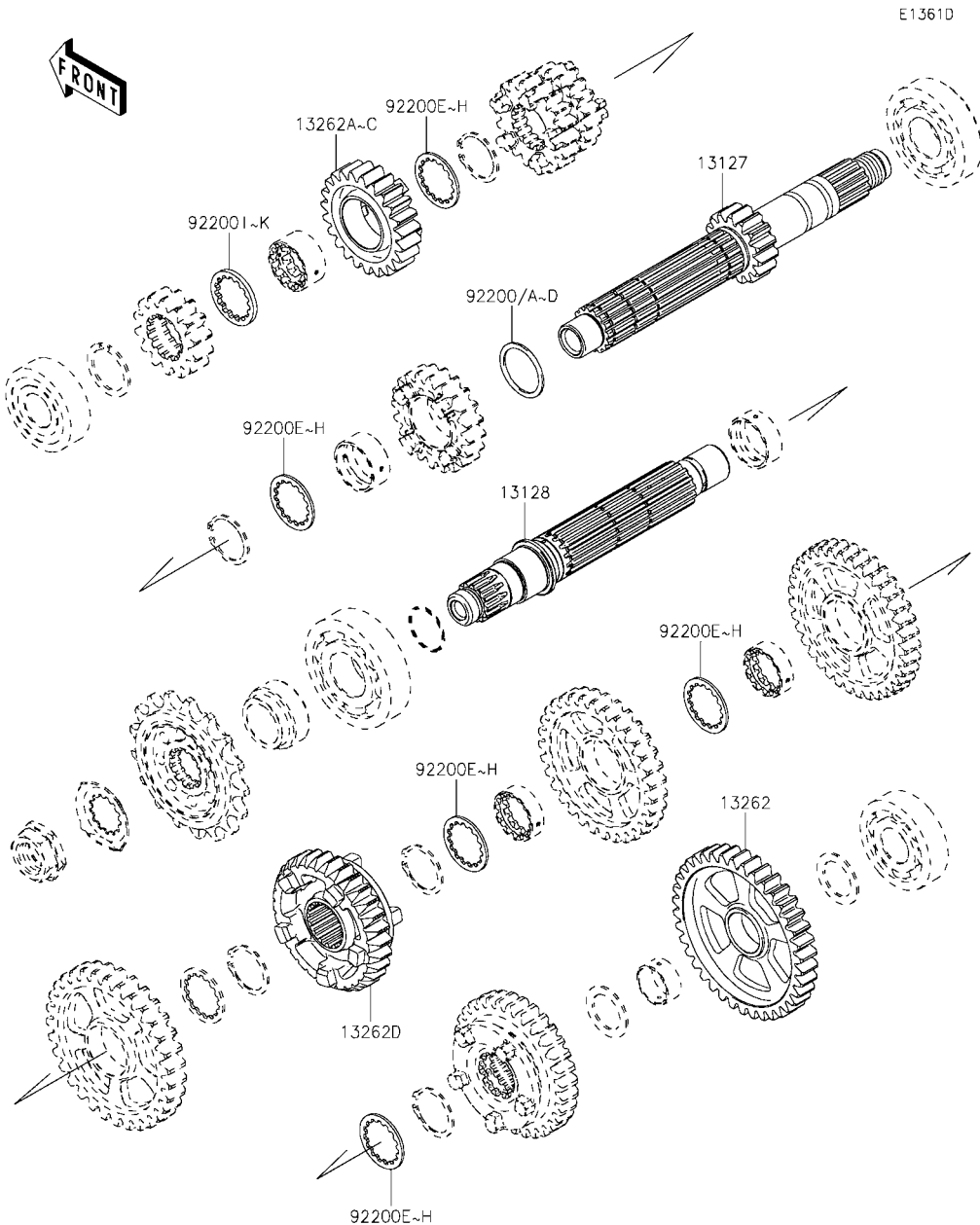
'16 ZX1000 RGFR/SGFR Engine

GRID NO.

**C-3**

This grid covers:

**Transmission(TYPE-E/F/G)**



Ref. No.	Part No.	Description	Spec Code	Quantity-ZX1000			
				'16	'16		
				RGFR	SGFR		
13127	13127-0642 (OPTION)	SHAFT-TRANSMISSION INPUT,15T	1	1			
13128	13128-0671 (OPTION)	SHAFT-TRANSMISSION OUTPUT	1	1			
13262	13262-0615 (OPTION)	GEAR,OUTPUT LOW,39T	1	1			
13262A	13262-0655 (OPTION)	GEAR,INPUT 6TH,21T	1	1			
13262B	13262-0656 (OPTION)	GEAR,INPUT 6TH,24T	1	1			
13262C	13262-0657 (OPTION)	GEAR,INPUT 6TH,22T	1	1			
13262D	13262-0909 (OPTION)	GEAR,OUTPUT 6TH,26T	1	1			
92200	92200-0051 (OPTION)	WASHER,28.1X34.0X1.2	AR	AR			
92200A	92200-0225 (OPTION)	WASHER,28.1X34.0X0.8	AR	AR			
92200B	92200-0226 (OPTION)	WASHER,28.1X34.0X1.0	AR	AR			
92200C	92200-0227 (OPTION)	WASHER,28.1X34.0X1.4	AR	AR			
92200D	92200-0228 (OPTION)	WASHER,28.1X34.0X1.6	AR	AR			
92200E	92200-0229 (OPTION)	WASHER,28.3X34.0X1.2	AR	AR			
92200F	92200-0230 (OPTION)	WASHER,28.3X34.0X1.4	AR	AR			
92200G	92200-0231 (OPTION)	WASHER,28.3X34.0X1.8	AR	AR			
92200H	92200-0232 (OPTION)	WASHER,28.3X34.0X2.0	AR	AR			
92200I	92200-0748 (OPTION)	WASHER,28.3X34.0X2.6	AR	AR			
92200J	92200-0749 (OPTION)	WASHER,28.3X34.0X2.8	AR	AR			
92200K	92200-0750 (OPTION)	WASHER,28.3X34.0X3.0	AR	AR			



This catalog covers:

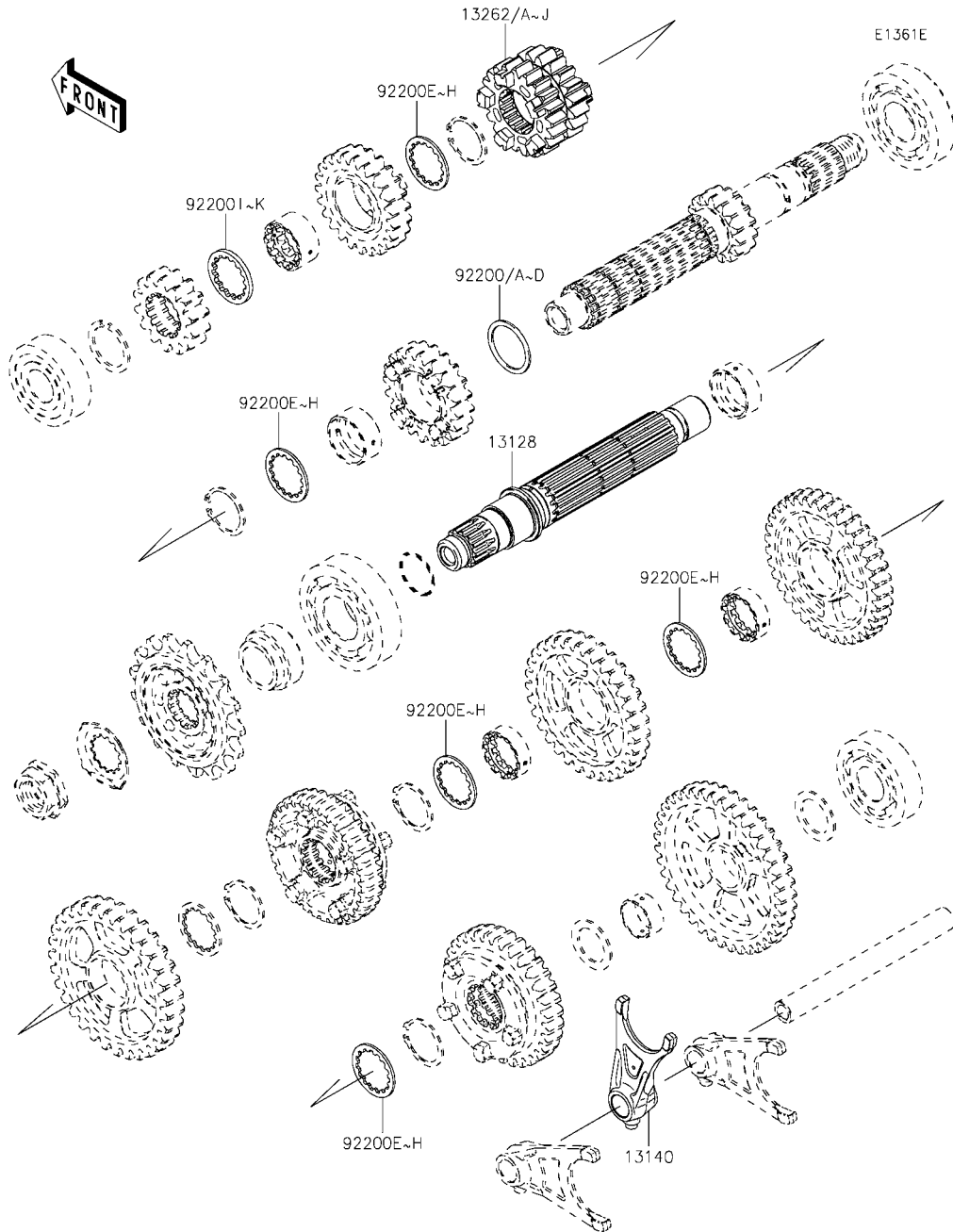
'16 ZX1000 RGFR/SGFR Engine

GRID NO.

**C-5**

This grid covers:

Transmission(2/2)(INPUT3RD/4TH GEAR)



Ref. No.	Part No.	Description	Spec Code	Quantity-ZX1000			
				'16 RGFR	'16 SGFR		
92200G	92200-0231 (OPTION)	WASHER,28.3X34.0X1.8		AR	AR		
92200H	92200-0232 (OPTION)	WASHER,28.3X34.0X2.0		AR	AR		
92200I	92200-0748 (OPTION)	WASHER,28.3X34.0X2.6		AR	AR		
92200J	92200-0749 (OPTION)	WASHER,28.3X34.0X2.8		AR	AR		
92200K	92200-0750 (OPTION)	WASHER,28.3X34.0X3.0		AR	AR		

This catalog covers:

'16 ZX1000 RGFR/SGFR Engine

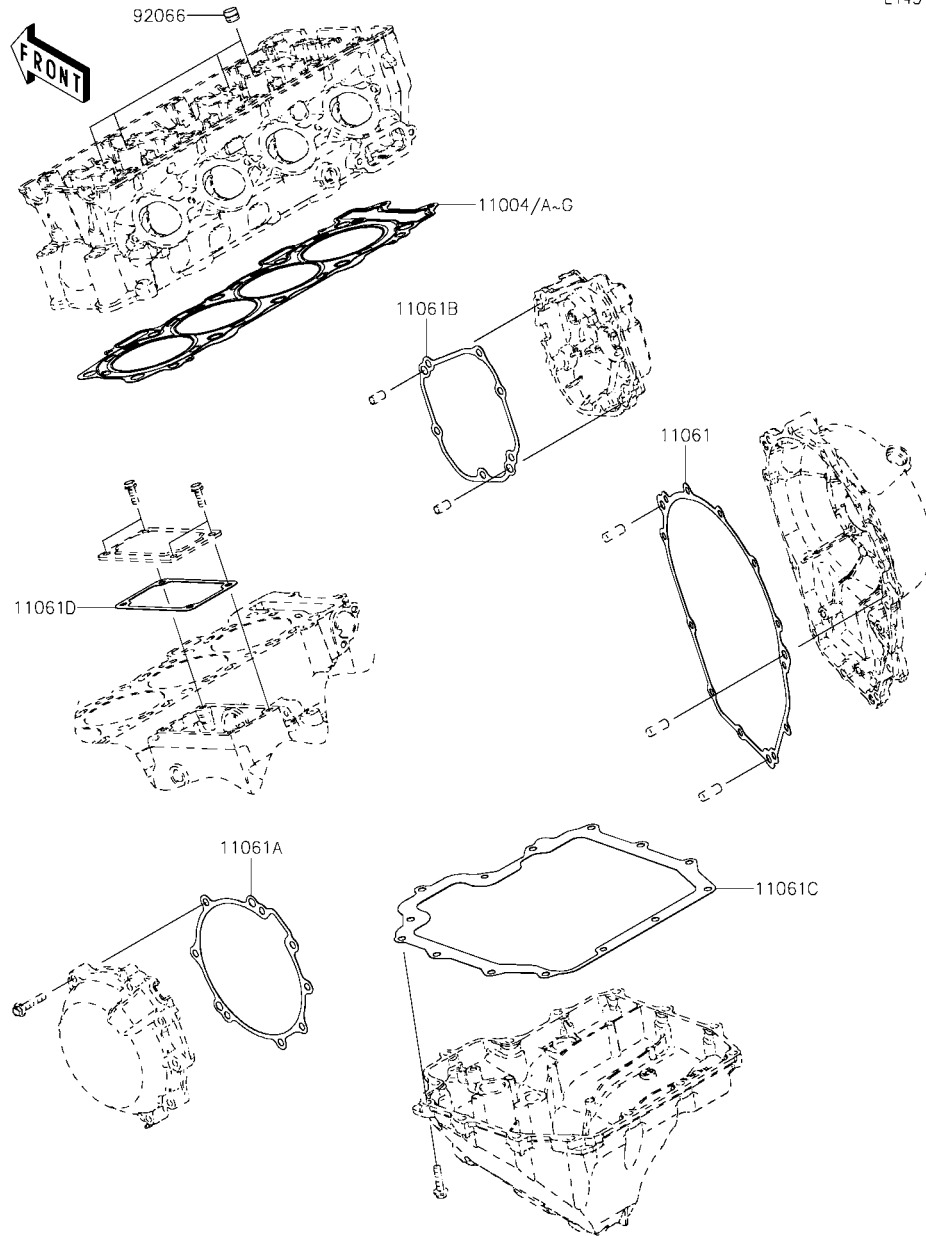
GRID NO.

**C-6**

This grid covers:

**Engine Cover(s)**

E1431



Ref. No.	Part No.	Description	Spec Code	Quantity-ZX1000			
				'16 RGFR	'16 SGFR		
11004	11004-0719 (OPTION)	GASKET-HEAD,T=0.65		1	1		
11004A	11004-0720 (OPTION)	GASKET-HEAD,T=0.60		1	1		
11004B	11004-0721 (OPTION)	GASKET-HEAD,T=0.55		1	1		
11004C	11004-0722 (OPTION)	GASKET-HEAD,T=0.50		1	1		
11004D	11004-0765 (OPTION)	GASKET-HEAD,T=0.85		1	1		
11004E	11004-0766 (OPTION)	GASKET-HEAD,T=0.80		1	1		
11004F	11004-0767 (OPTION)	GASKET-HEAD,T=0.75		1	1		
11004G	11004-0768 (OPTION)	GASKET-HEAD,T=0.70		1	1		
11061	11061-0754 (OPTION)	GASKET,CLUTCH COVER		1	1		
11061A	11061-0755 (OPTION)	GASKET,GENERATOR COVER		1	1		
11061B	11061-0756 (OPTION)	GASKET,PULSER COVER		1	1		
11061C	11061-0757 (OPTION)	GASKET,OIL PAN		1	1		
11061D	11061-0758 (OPTION)	GASKET,STARTER COVER		1	1		
92066	92066-1005 (OPTION)	PLUG		4	4		

This catalog covers:

'16 ZX1000 RGFR/SGFR Engine

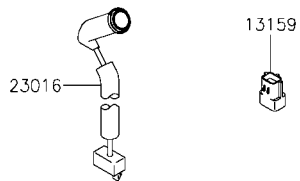
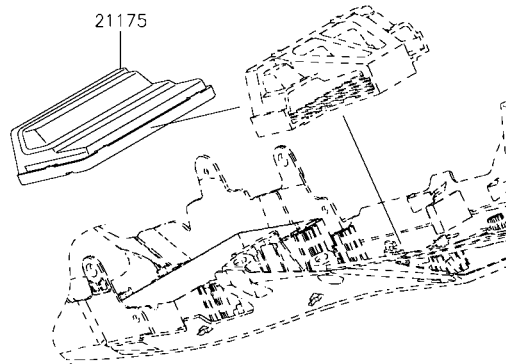
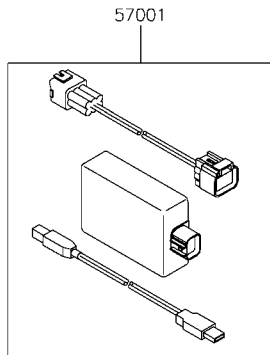
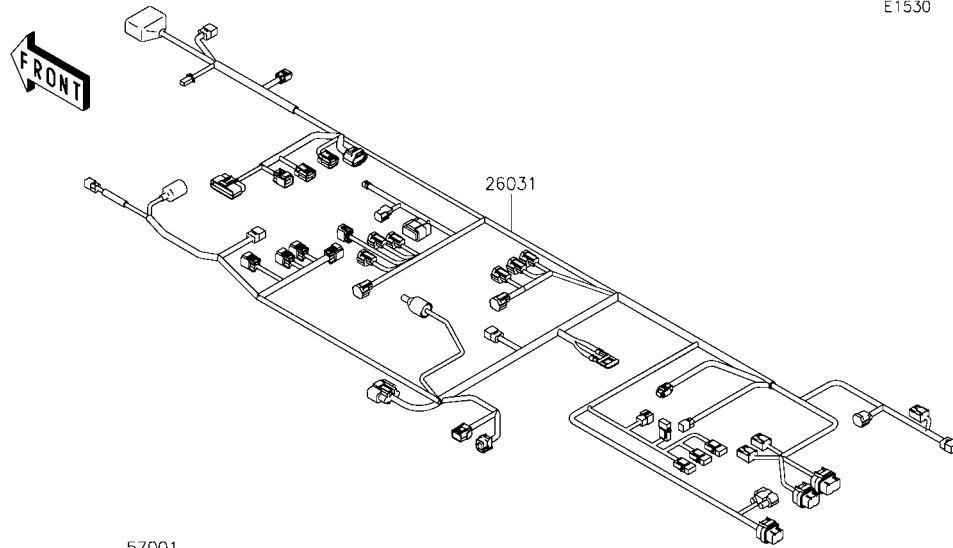
GRID NO.

**C-7**

This grid covers:

**Fuel Injection**

E1530



Ref. No.	Part No.	Description	Spec Code	Quantity-ZX1000			
				'16	'16		
				RGFR	SGFR		
13159	13159-0023 (OPTION)	CONNECTOR,ABS CANCELLER		1	1		
21175	21175-1205 (OPTION)	CONTROL UNIT-ELECTRONIC		1	1		
23016	23016-0556 (OPTION)	LAMP-ASSY,INDICATOR		1	1		
26031	26031-2113 (OPTION)	HARNESS,MAIN		1	1		
57001	57001-0011 (OPTION)	TOOL-SPECIAL,INTERFACE HARNESS		1	1		

This catalog covers:

# '16 ZX1000 RGFR/SGFR Chassis

GRID NO.

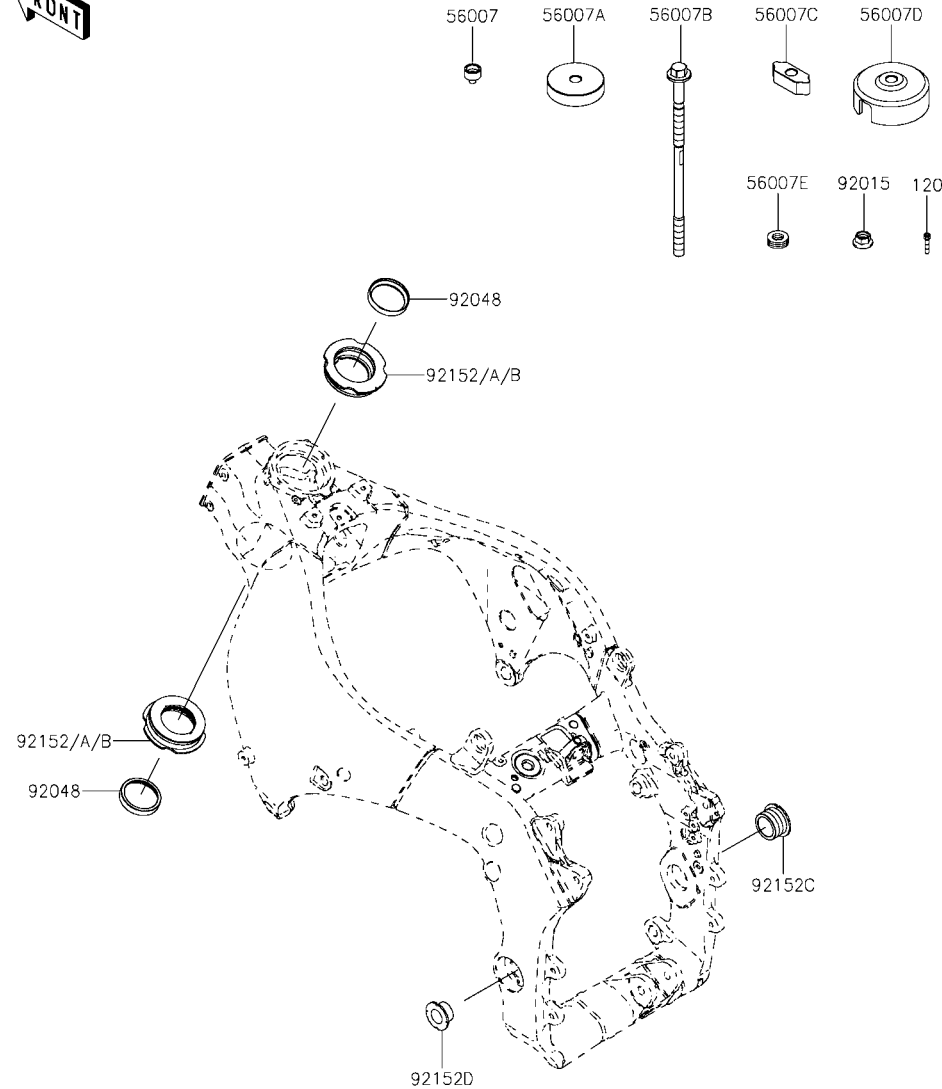
**D-3**

This grid covers:

# Frame



F2120



Ref. No.	Part No.	Description	Spec Code	Quantity-ZX1000			
				'16	'16		
				RGFR	SGFR		
56007	56007-0143 (OPTION)	TOOL-KIT,GUIDE		2	2		
56007A	56007-0144 (OPTION)	TOOL-KIT,DRIVER		1	1		
56007B	56007-0145 (OPTION)	TOOL-KIT,SHAFT		1	1		
56007C	56007-0146 (OPTION)	TOOL-KIT,PULLER		1	1		
56007D	56007-0147 (OPTION)	TOOL-KIT,COLLAR KEEPER		1	1		
56007E	56007-0148 (OPTION)	TOOL-KIT,THRUST BEARING SET		1	1		
92015	92015-1435 (OPTION)	NUT,14MM		1	1		
92048	92048-1110 (OPTION)	RACE		2	2		
92152	92152-2254 (OPTION)	COLLAR,HEAD PIPE,23DEG		2	2		
92152A	92152-2256 (OPTION)	COLLAR,HEAD PIPE,23.5DEG		2	2		
92152B	92152-2258 (OPTION)	COLLAR,HEAD PIPE,+4MM		2	2		
92152C	92152-2259 (OPTION)	COLLAR,PIVOT,RH		1	1		
92152D	92152-2260 (OPTION)	COLLAR,PIVOT,LH		1	1		
120	120CB0525 (OPTION)	BOLT-SOCKET,5X25		2	2		

This catalog covers:

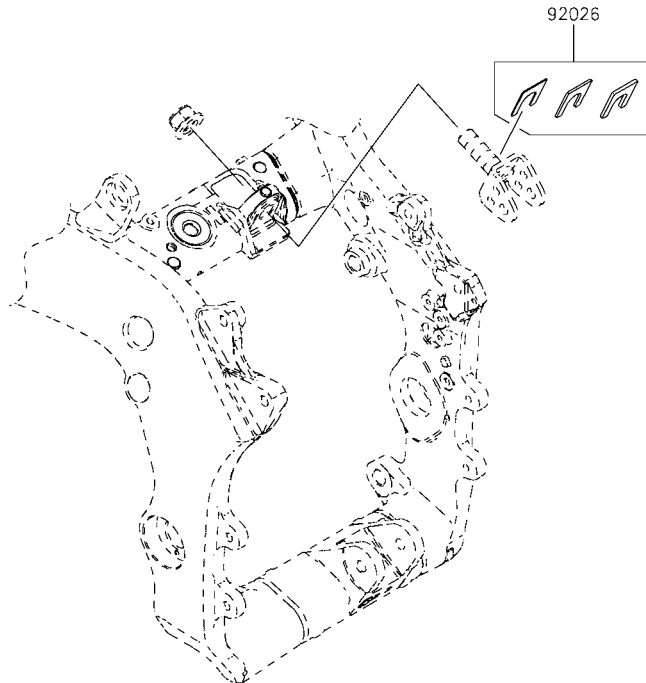
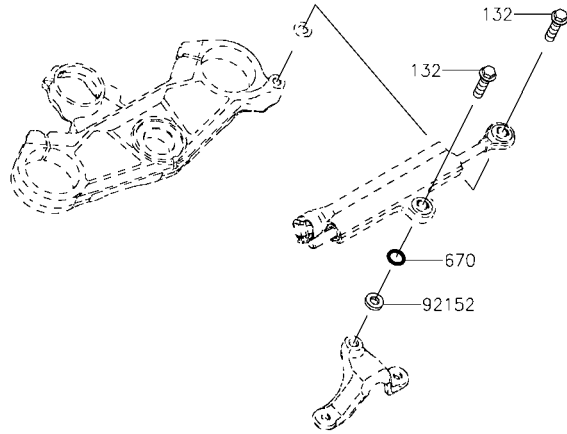
'16 ZX1000 RGFR/SGFR Chassis

GRID NO.

**D-4**

This grid covers:

**Frame Fittings**



F2130

Ref. No.	Part No.	Description	Spec Code	Quantity-ZX1000			
				'16	'16		
				RGFR	SGFR		
92026	92026-0724 (OPTION)	SPACER,REAR HEIGHT ADJ.,SET	1	1			
92152	92152-0798 (OPTION)	COLLAR,8X16X3.5	1	1			
132	132BA0830 (OPTION)	BOLT-FLANGED-SMALL,8X30	2	2			
670	670B2012 (OPTION)	O RING,12MM	1	1			



This catalog covers:

'16 ZX1000 RGFR/SGFR Chassis

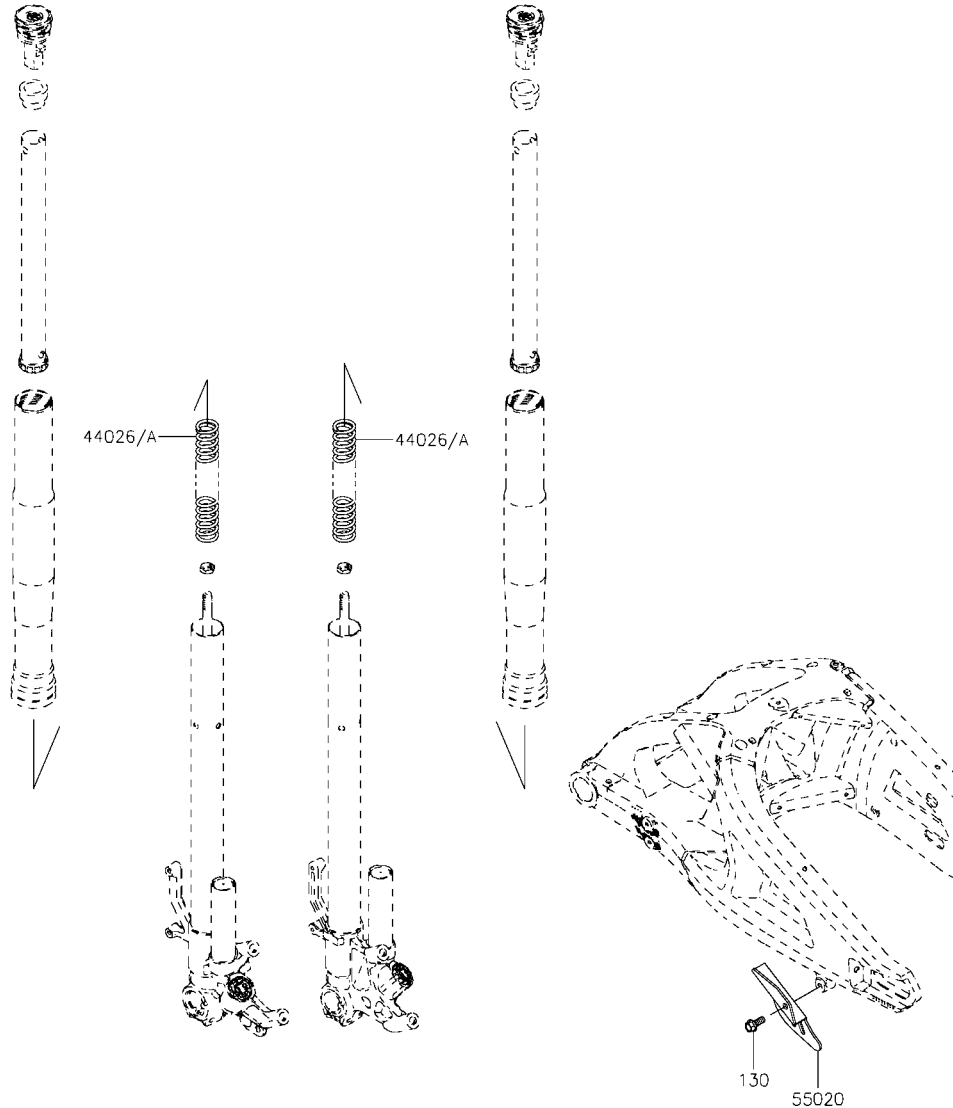
GRID NO.

**D-5**

This grid covers:

**Front Fork**

F2340



Ref. No.	Part No.	Description	Spec Code	Quantity-ZX1000			
				'16 RGFR	'16 SGFR		
44026	44026-0203 (OPTION)	SPRING-FRONT FORK,10.75N/MM		2	2		
44026A	44026-0204 (OPTION)	SPRING-FRONT FORK,11.75N/MM		2	2		
55020	55020-0795 (OPTION)	GUARD,CHAIN		1	1		
130	130BA0820 (OPTION)	BOLT-FLANGED,8X20		1	1		

This catalog covers:

'16 ZX1000 RGFR/SGFR

GRID NO.

L-16

This grid covers:

Numerical Parts Index

Part No.	Grid No.	Part No.	Grid No.	Part No.	Grid No.	Part No.	Grid No.	Part No.	Grid No.	Part No.	Grid No.
11004-0719	C-6	13262-0633	C-4	56007-0143	D-3	92200-0225	C-3	92200-0749	B-10		
11004-0720	C-6	13262-0634	C-4	56007-0144	D-3	92200-0225	C-4	92200-0749	B-12		
11004-0721	C-6	13262-0637	C-4	56007-0145	D-3	92200-0226	B-11	92200-0749	B-14		
11004-0722	C-6	13262-0638	C-4	56007-0146	D-3	92200-0226	B-13	92200-0749	B-8		
11004-0765	C-6	13262-0639	C-4	56007-0147	D-3	92200-0226	B-7	92200-0749	C-3		
11004-0766	C-6	13262-0640	C-4	56007-0148	D-3	92200-0226	B-9	92200-0749	C-5		
11004-0767	C-6	13262-0641	C-4	57001-0011	C-7	92200-0226	C-3	92200-0750	B-10		
11004-0768	C-6	13262-0642	B-9	670B2012	D-4	92200-0226	C-4	92200-0750	B-12		
11056-1232	B-3	13262-0643	B-11	92015-1435	D-3	92200-0227	B-11	92200-0750	B-14		
11056-1233	B-3	13262-0644	B-13	92022-304	B-3	92200-0227	B-13	92200-0750	B-8		
11061-0754	C-6	13262-0645	B-7	92022-304	B-6	92200-0227	B-7	92200-0750	C-3		
11061-0755	C-6	13262-0646	B-11	92026-0724	D-4	92200-0227	B-9	92200-0750	C-5		
11061-0756	C-6	13262-0648	B-7	92027-194	B-3	92200-0227	C-3	92210-0630	B-4		
11061-0757	C-6	13262-0652	B-9	92048-1110	D-3	92200-0227	C-4				
11061-0758	C-6	13262-0654	B-13	92055-0053	B-4	92200-0228	B-11				
12046-0034	B-4	13262-0655	C-3	92055-011	B-4	92200-0228	B-13				
12048-0082	B-4	13262-0656	C-3	92066-1005	C-6	92200-0228	B-7				
120CB0525	D-3	13262-0657	C-3	92075-277	B-3	92200-0228	B-9				
13089-0003	B-6	13262-0664	B-7	92139-0746	B-5	92200-0228	C-3				
13089-0011	B-6	13262-0665	C-4	92139-0747	B-5	92200-0228	C-4				
13089-0012	B-6	13262-0856	B-7	92139-0748	B-5	92200-0229	B-11				
13091-1041	B-6	13262-0869	B-11	92139-0749	B-5	92200-0229	B-13				
130BA0620	B-3	13262-0880	B-7	92139-0750	B-5	92200-0229	B-7				
130BA0820	D-5	13262-0881	B-9	92139-0751	B-5	92200-0229	B-9				
130BB0618	B-3	13262-0891	C-4	92139-0752	B-5	92200-0229	C-3				
130BD0610	B-3	13262-0895	B-9	92139-0753	B-5	92200-0229	C-4				
13116-1166	B-4	13262-0896	B-11	92139-0754	B-5	92200-0230	B-11				
13127-0638	B-7	13262-0897	B-13	92139-0755	B-5	92200-0230	B-13				
13127-0639	B-9	13262-0898	B-9	92139-0756	B-5	92200-0230	B-7				
13127-0640	B-11	13262-0899	B-11	92139-0757	B-5	92200-0230	B-9				
13127-0641	B-13	13262-0900	B-13	92152-0798	D-4	92200-0230	C-3				
13127-0642	C-3	13262-0901	B-7	92152-2254	D-3	92200-0230	C-4				
13128-0671	B-11	13262-0902	B-9	92152-2256	D-3	92200-0231	B-11				
13128-0671	B-13	13262-0903	B-11	92152-2258	D-3	92200-0231	B-13				
13128-0671	B-7	13262-0904	B-13	92152-2259	D-3	92200-0231	B-7				
13128-0671	B-9	13262-0905	B-7	92152-2260	D-3	92200-0231	B-9				
13128-0671	C-3	13262-0906	B-9	92153-0455	B-4	92200-0231	C-3				
13128-0671	C-4	13262-0907	B-11	92171-0338	B-3	92200-0231	C-5				
13140-0625	C-4	13262-0908	B-13	92192-1025	B-3	92200-0232	B-11				
13159-0023	C-7	13262-0909	C-3	92192-1026	B-3	92200-0232	B-13				
13262-0615	C-3	132BA0830	D-4	92200-0051	B-11	92200-0232	B-7				
13262-0618	B-7	21175-1205	C-7	92200-0051	B-13	92200-0232	B-9				
13262-0619	B-9	23016-0556	C-7	92200-0051	B-7	92200-0232	C-3				
13262-0620	B-11	26031-2113	C-7	92200-0051	B-9	92200-0232	C-5				
13262-0622	B-7	39108-0005	B-6	92200-0051	C-3	92200-0748	B-10				
13262-0624	B-9	44026-0203	D-5	92200-0051	C-4	92200-0748	B-12				
13262-0625	B-11	44026-0204	D-5	92200-0225	B-11	92200-0748	B-14				
13262-0626	B-13	49118-0728	B-4	92200-0225	B-13	92200-0748	B-8				
13262-0630	C-4	52001-0009	B-3	92200-0225	B-7	92200-0748	C-3				
13262-0632	C-4	55020-0795	D-5	92200-0225	B-9	92200-0748	C-5				

*This catalog covers:*

**'16 ZX1000 RGFR/SGFR**

---

Air Cleaner .....	B-3
Camshaft(s) .....	B-4
Clutch .....	B-6
Crankshaft .....	B-5
Engine Cover(s) .....	C-6
Frame .....	D-3
Frame Fittings .....	D-4
Front Fork .....	D-5
Fuel Injection .....	C-7

*GRID NO.*

**B-16**

*This grid covers:*

**Part Name Index**

---

Piston(s) .....	B-5
Tensioner .....	B-4
Transmission(INPUT3RD/4TH GEAR) .....	C-4/C-5
Transmission(TYPE-A) .....	B-7/B-8
Transmission(TYPE-B) .....	B-10/B-9
Transmission(TYPE-C) .....	B-11/B-12
Transmission(TYPE-D) .....	B-13/B-14
Transmission(TYPE-E/F/G) .....	C-3

*This catalog covers:*

**'16 ZX1000 RGFR/SGFR**

---

Air Cleaner .....	B-3
Camshaft(s) .....	B-4
Clutch .....	B-6
Crankshaft .....	B-5
Engine Cover(s) .....	C-6
Frame .....	D-3
Frame Fittings .....	D-4
Front Fork .....	D-5
Fuel Injection .....	C-7

*GRID NO.*

**C-16**

*This grid covers:*

**Part Name Index**

---

Piston(s) .....	B-5
Tensioner .....	B-4
Transmission(INPUT3RD/4TH GEAR) .....	C-4/C-5
Transmission(TYPE-A) .....	B-7/B-8
Transmission(TYPE-B) .....	B-10/B-9
Transmission(TYPE-C) .....	B-11/B-12
Transmission(TYPE-D) .....	B-13/B-14
Transmission(TYPE-E/F/G) .....	C-3

*This catalog covers:*

**'16 ZX1000 RGFR/SGFR**

---

Air Cleaner .....	B-3
Camshaft(s) .....	B-4
Clutch .....	B-6
Crankshaft .....	B-5
Engine Cover(s) .....	C-6
Frame .....	D-3
Frame Fittings .....	D-4
Front Fork .....	D-5
Fuel Injection .....	C-7

*GRID NO.*

**D-16**

*This grid covers:*

**Part Name Index**

---

Piston(s) .....	B-5
Tensioner .....	B-4
Transmission(INPUT3RD/4TH GEAR) .....	C-4/C-5
Transmission(TYPE-A) .....	B-7/B-8
Transmission(TYPE-B) .....	B-10/B-9
Transmission(TYPE-C) .....	B-11/B-12
Transmission(TYPE-D) .....	B-13/B-14
Transmission(TYPE-E/F/G) .....	C-3

2016 ZX-10R kit part price list

\* separated 3 part, for ZX1000R, common parts and ZX1000J

New Parts dedicate esclusivamente al Nuovo Modello 2016						PRICE IVA ESCLUSA	PRICE IVA INCLUSA
Part#	qty	NAME	REMARKS	ORIGIN			
<b>OPTIONAL FRONT FORK SPRING</b>			chassis setting				
44026-0203	2	SPRING-FRONT	K=10.75N/mm	NEW	€ 45,55	€ 55,58	
44026-0204	2	SPRING-FRONT	K=11.75N/mm	NEW	€ 45,55	€ 55,58	
<b>ELECTRIC HARNESS</b>			to accommodate kit ECU in various manner				
26031-2113	1	HARNESS, MAIN		NEW	€ 648,18	€ 790,79	
<b>FUEL INJECTION</b>			mapping programmable				
21175-1205	1	CONTROL UNIT-with CD		NEW	€ 833,78	€ 1.017,22	
57001-0011	1	ADAPTER SET	connecting kit between ECU and laptop	NEW	€ 607,15	€ 740,73	
<b>FOR DIMENSION ADJUSTMENT</b>							
92152-2253	2	COLLAR	steering angle adjuster, 23 deg	NEW			
92152-2254	2	COLLAR	steering angle adjuster, 23 deg	NEW	€ 131,28	€ 160,16	
92152-2255	2	COLLAR	steering angle adjuster, 23.5 deg	NEW			
92152-2256	2	COLLAR	steering angle adjuster, 23.5 deg	NEW	€ 131,28	€ 160,16	
92152-2257	2	COLLAR	+/-4mm	NEW			
92152-2258	2	COLLAR	+/-4mm		€ 131,28	€ 160,16	
92048-1110	2	RACE, OUTER		NEW	€ 5,09	€ 6,21	
92152-2259	1	COLLAR, PIVOT	swing arm, LH, +/-0mm	NEW	€ 82,06	€ 100,12	
92152-2260	1	COLLAR, PIVOT	swing arm, RH, +/-0mm	NEW	€ 57,45	€ 70,08	
<b>CYLINDER HEAD GASKETS</b>			compression adjustment				
11004-0765	1	GASKET, HEAD, t=0.85	t=0.85	NEW	€ 24,20	€ 29,52	
11004-0766	1	GASKET, HEAD, t=0.80	t=0.80	NEW	€ 24,20	€ 29,52	
11004-0767	1	GASKET, HEAD, t=0.75	t=0.75	NEW	€ 24,20	€ 29,52	
11004-0768	1	GASKET, HEAD, t=0.70	t=0.70	NEW	€ 24,20	€ 29,52	
<b>OIL CATCH TANK (FITTING: see common parts)</b>							
52001-0009	1	TANK-OIL	changed mounting boss.	NEW	€ 226,45	€ 276,27	
130BB0618	2	BOLT-FLANGED	for mounting regulator	MASS			

Parti comuni che vanno bene sia sul Nuovo Modello 2016 che sulla attuale versione 2011-2015						PRICE IVA ESCLUSA	PRICE IVA INCLUSA
Part#	qty	NAME	REMARKS	ORIGIN			
<b>CHAIN GUARD</b>			safety regulation				
130BA0820	1	BOLT-FLANGED		MASS			
55020-0795	1	GUARD		ZX1000J	€ 38,38	€ 46,83	
<b>FOR STABLE STEERING</b>							
670B2012	2	O RING		MASS			
132BA0830	2	BOLT		MASS			
92152-0798	1	COLLAR		ZX600R	€ 30,55	€ 37,28	
<b>CYLINDER HEAD GASKETS</b>			compression adjustment				
11004-0719	1	GASKET, HEAD, t=0.65	t=0.65	ZX1000J	€ 22,59	€ 27,56	
11004-0720	1	GASKET, HEAD, t=0.60	t=0.60	ZX1000J	€ 22,59	€ 27,56	
11004-0721	1	GASKET, HEAD, t=0.55	t=0.55	ZX1000J	€ 22,59	€ 27,56	
11004-0722	1	GASKET, HEAD, t=0.50	t=0.50	ZX1000J	€ 22,59	€ 27,56	
<b>OPTIONAL CAMSHAFT</b>			more performance				
49118-0728	1	SHAFT-CAM, INLET		ZX1000J	€ 98,69	€ 120,40	
49118-0869	1	SHAFT-CAM, EXHAUST	available to use ZX1000R STD for ZX1000J	MASS			
12046-0034	1	SPROCKET, CAM		MASS			
92153-0455	2	BOLT, SPROCKET		MASS			
<b>CONROD BIG END METAL (for STOCK conrod)</b>			anti seizure and wear resistance				
92139-0754	8	BUSHING	FOR STD-ROD BLUE	ZX1000J	€ 29,46	€ 35,94	
92139-0755	8	BUSHING	FOR STD-ROD BLACK	ZX1000J	€ 29,46	€ 35,94	
92139-0756	8	BUSHING	FOR STD-ROD BROWN	ZX1000J	€ 29,46	€ 35,94	
92139-0757	8	BUSHING	FOR STD-ROD PINK	ZX1000J	€ 29,46	€ 35,94	
<b>CRANKSHAFT JOURNAL METAL</b>			anti seizure and wear resistance				

92139-0746	6	BUSHING	1st/3rd/5th journal, BLUE	ZX1000J	€ 29,46	€ 35,94
92139-0747	6	BUSHING	1st/3rd/5th journal BLACK	ZX1000J	€ 29,46	€ 35,94
92139-0748	6	BUSHING	1st/3rd/5th journal BROWN	ZX1000J	€ 29,46	€ 35,94
92139-0749	6	BUSHING	1st/3rd/5th journal PINK	ZX1000J	€ 29,46	€ 35,94
92139-0750	4	BUSHING	2nd/4th journal, BLUE	ZX1000J	€ 29,46	€ 35,94
92139-0751	4	BUSHING	2nd/4th journal BLACK	ZX1000J	€ 29,46	€ 35,94
92139-0752	4	BUSHING	2nd/4th journal BROWN	ZX1000J	€ 29,46	€ 35,94
92139-0753	4	BUSHING	2nd/4th journal PINK	ZX1000J	€ 29,46	€ 35,94
<b>GASKET FOR COVERS</b>				easier removal for repeated service		
11061-0754	1	GASKET, CLUTCH COVER		ZX1000J	€ 47,59	€ 58,06
11061-0755	1	GASKET, GENERATOR COVER		ZX1000J	€ 13,72	€ 16,74
11061-0756	1	GASKET, PULSOR COVER		ZX1000J	€ 11,30	€ 13,79
11061-0757	1	GASKET, OIL PAN		ZX1000J	€ 47,59	€ 58,06
11061-0758	1	GASKET, STARTER COVER		ZX1000J	€ 5,64	€ 6,88
<b>CAM CHAIN TENSIONER</b>						
12048-0082	1	TENSIONER-ASSY		ZX1000J	€ 455,63	€ 555,87
92210-0630	1	NUT	spare parts to 12048-0082	MASS		
92055-0053	1	RING-O	spare parts to 12048-0082	MASS		
92055-011	1	RING-O	spare parts to 12048-0082	MASS		
13116-1166	1	ROD-PUSH	spare rod	ZX600G	€ 41,03	€ 50,05
<b>SLIPPER CLUTCH ADJUSTMENT PARTS</b>				adjust slipper clutch setting		
13089-0003	1	PLATE,-CLUTCH, SPRING	STD	MASS		
13089-0011	1	SPRING PLATE	STD +40%	ZX1000C	€ 114,67	€ 139,90
13089-0012	1	SPRING PLATE	STD +60%	ZX1000C	€ 114,67	€ 139,90
39108-0005	6	RETAINER	CLUTCH-SPRING	ZX600N	€ 4,88	€ 5,95
13091-1041	6	RETAINER	CLUTCH-SPRING	MASS		
92022-304	6	WASHER	CLUTCH-SPRING	MASS		
<b>CHANGE MECHANISM</b>						
13140-0625	1	SHIFT, FORK, INPUT		ZX1000J	€ 81,92	€ 99,94
<b>VARIETY OF 3RD/4TH-IN</b>						
13262-0630	1	GEAR 3/4-IN A/A		ZX1000E	€ 90,25	€ 110,11
13262-0665	1	GEAR 3/4-IN A/B		MASS		
13262-0891	1	GEAR 3/4-IN A/C		STD		
13262-0633	1	GEAR 3/4-IN:B/A		ZX1000E	€ 95,17	€ 116,11
13262-0632	1	GEAR 3/4-IN:B/B		ZX1000E	€ 95,17	€ 116,11
13262-0634	1	GEAR 3/4-IN:B/C		ZX1000E	€ 95,17	€ 116,11
13262-0638	1	GEAR 3/4-IN:C/A		ZX1000E	€ 95,17	€ 116,11
13262-0637	1	GEAR 3/4-IN:C/B		ZX1000E	€ 95,17	€ 116,11
13262-0639	1	GEAR 3/4-IN:C/C		ZX1000E	€ 124,72	€ 152,16
13262-0641	1	GEAR 3/4-IN:D/A		ZX1000E	€ 141,12	€ 172,16
13262-0640	1	GEAR 3/4-IN:D/B		ZX1000E	€ 141,12	€ 172,16
<b>TRANSMISSION (TYPE-A)</b>						
13127-0638	1	SHAFT-TRANSMISSION, INPUT	15T	ZX1000J	€ 221,16	€ 269,82
13128-0671	1	SHAFT-TRANSMISSION, OUTPUT		ZX1000J	€ 204,77	€ 249,82
13262-0664	1	GEAR 1ST-OUT(38T)		ZX1000E	€ 123,90	€ 151,16
13262-0856	1	GEAR 2ND-IN(19T)		STD		
13262-0880	1	GEAR 2ND-OUT(39T)		STD		
13262-0618	1	GEAR 3RD-OUT(33T)		STD		
13262-0645	1	GEAR 4TH-OUT(32T)		ZX1000E	€ 262,56	€ 320,32
13262-0648	1	GEAR 5TH-IN(21T)		ZX1000E	€ 106,67	€ 130,14
13262-0901	1	GEAR 5TH-OUT(29T)		ZX1000J	€ 177,23	€ 216,22
13262-0622	1	GEAR 6TH-IN(23T)		MASS		
13262-0905	1	GEAR 6TH-OUT(30T)		ZX1000J	€ 103,39	€ 126,14
<b>TRANSMISSION (TYPE-B)</b>						
13127-0639	1	SHAFT-TRANSMISSION, INPUT		ZX1000J	€ 221,16	€ 269,82
13262-0624	1	GEAR 1ST-OUT(31T)		ZX1000E	€ 123,90	€ 151,16
13262-0895	1	GEAR 2ND-IN(19T)		ZX1000J	€ 120,60	€ 147,14
13262-0898	1	GEAR 2ND-OUT(37T)		ZX1000J	€ 106,67	€ 130,14
13262-0642	1	GEAR 3RD-OUT(34T)		ZX1000E	€ 111,59	€ 136,14
13262-0619	1	GEAR 4TH-OUT(31T)		STD		
13262-0881	1	GEAR 5TH-IN(20T)		STD		
13262-0902	1	GEAR 5TH-OUT(26T)		ZX1000J	€ 121,42	€ 148,14
13262-0652	1	GEAR 6TH-IN(21T)		ZX1000E	€ 106,67	€ 130,14

13262-0906	1	GEAR 6TH-OUT(29T)		ZX1000J	€ 246,15	€ 300,30
<b>TRANSMISSION (TYPE-C)</b>						
13127-0640	1	SHAFT-TRANSMISSION, INPUT(14T)		ZX1000J	€ 221,16	€ 269,82
13262-0625	1	GEAR 1ST-OUT(34T)		ZX1000E	€ 123,90	€ 151,16
13262-0896	1	GEAR 2ND-IN(18T)		ZX1000J	€ 120,60	€ 147,14
13262-0899	1	GEAR 2ND-OUT(38T)		ZX1000J	€ 106,67	€ 130,14
13262-0643	1	GEAR 3RD-OUT(28T)		ZX1000E	€ 111,59	€ 136,14
13262-0646	1	GEAR 4TH-OUT(33T)		ZX1000E	€ 262,56	€ 320,32
13262-0620	1	GEAR 5TH-IN(20T)		STD		
13262-0903	1	GEAR 5TH-OUT(28T)		ZX1000J	€ 177,23	€ 216,22
13262-0869	1	GEAR 6TH-IN(23T)		STD		
13262-0907	1	GEAR 6TH-OUT(31T)		ZX1000J	€ 121,42	€ 148,14
<b>TRANSMISSION (TYPE-D)</b>						
13127-0641	1	SHAFT-TRANSMISSION, INPUT(16T)		ZX1000J	€ 221,16	€ 269,82
13262-0626	1	GEAR 1ST-OUT(37T)		ZX1000E	€ 123,90	€ 151,16
13262-0897	1	GEAR 2ND-IN(18T)		ZX1000J	€ 120,60	€ 147,14
13262-0900	1	GEAR 2ND-OUT(36T)		ZX1000J	€ 114,86	€ 140,14
13262-0644	1	GEAR 3RD-OUT(36T)		ZX1000E	€ 111,59	€ 136,14
13262-0904	1	GEAR 5TH-OUT(30T)		ZX1000J	€ 177,23	€ 216,22
13262-0654	1	GEAR 6TH-IN(22T)		ZX1000E	€ 98,45	€ 120,11
13262-0908	1	GEAR 6TH-OUT(28T)		ZX1000J	€ 131,28	€ 160,16
<b>TRANSMISSION (TYPE-E)</b>						
13127-0642	1	SHAFT-TRANSMISSION, INPUT		ZX1000J	€ 221,16	€ 269,82
13262-0615	1	GEAR 1ST-OUT(39T)		STD		
13262-0655	1	GEAR 6TH-IN(21T)		ZX1000E	€ 98,45	€ 120,11
13262-0909	1	GEAR 6TH-OUT(26T)		ZX1000J	€ 103,39	€ 126,14
<b>TRANSMISSION (TYPE-F)</b>						
13262-0656	1	GEAR 6TH-IN(24T)		ZX1000E	€ 98,45	€ 120,11
<b>TRANSMISSION (TYPE-G)</b>						
13262-0657	1	GEAR 6TH-IN(22T)		ZX1000E	€ 98,45	€ 120,11
<b>TRANSMISSION SHIM</b>						
			keep axial clearance			
92200-0051		SHIM	5TH IN, t=1.2	MASS		
92200-0225		SHIM	5TH IN, t=0.8	ZX1000C	€ 13,78	€ 16,81
92200-0226		SHIM	5TH IN, t=1.0	ZX1000C	€ 9,35	€ 11,41
92200-0227		SHIM	5TH IN, t=1.4	ZX1000C	€ 5,25	€ 6,41
92200-0228		SHIM	5TH IN, t=1.6	MASS		
92200-0229		SHIM	6TH IN, t=1.2	ZX1000C	€ 9,35	€ 11,41
92200-0230		SHIM	6TH IN, t=1.4	ZX1000C	€ 9,35	€ 11,41
92200-0231		SHIM	6TH IN, t=1.8	ZX1000C	€ 9,35	€ 11,41
92200-0232		SHIM	6TH IN, t=2.0	ZX1000C	€ 9,35	€ 11,41
92200-0748		SHIM	2ND IN, t=2.6	ZX1000J	€ 24,61	€ 30,03
92200-0749		SHIM	2ND IN, t=2.8	ZX1000J	€ 24,61	€ 30,03
92200-0750		SHIM	2ND IN, t=3.0	ZX1000J	€ 24,61	€ 30,03
<b>SECONDARY AIR</b>						
92066-1005	4	PLUG		MASS		
<b>TACHO ACCESSORY</b>						
23016-0556	1	LAMP-ASSY	shift timing indicator	ZX1000J	€ 47,59	€ 58,05
<b>OIL CATCH TANK FITTING</b>						
	1	TANK-OIL	<b>Dedicated part. See ZX1000R/J list.</b>			
11056-1232	1	BRACKET	above tank	ZX1000J	€ 10,66	€ 13,00
11056-1233	1	BRACKET	below tank	ZX1000J	€ 6,23	€ 7,59
130BA0620	4	SCREW	ZX1000J is used 2 pcs.	MASS		
130BD0610	1	BOLT-FLANGED	drain	MASS		
92022-304	1	WASHER	drain	MASS		
92171-0338	4	CLAMP		MASS		
92192-1025	1	TUBE	airbox end	ZX1000J	€ 8,96	€ 10,94
92192-1026	1	TUBE	case end	ZX1000J	€ 9,78	€ 11,93
92027-194	2	COLLAR		MASS		
92075-277	2	DAMPER		MASS		
<b>REAR HIGHT ADJUSTMENT SPACERS</b>						
92026-0724	1	SPACER SET		ZX1000J	€ 61,54	€ 75,08



**Parti ancora in listino destinate esclusivamente all'attuale versione 2011-2015**

Part#	qty	NAME	REMARKS	ORIGIN	PRICE IVA ESCLUSA	PRICE IVA INCLUSA
<b>HI-THROTTLE KIT</b>				preciser throttle work		
120CA0518	2	BOLT		MASS		
31064-0187	1	GRIP INNER PIPE	grip inner pipe	ZX1000E	€ 152,84	€ 186,46
32099-0046	1	THROTTLE CASE	upper, high-throttle	ZX1000E	€ 124,25	€ 151,58
32099-0047	1	THROTTLE CASE	lower, high-throttle	ZX1000E	€ 124,25	€ 151,58
59101-0008	1	THROTTLE REEL	R19.7/65DEG	ZX1000E	€ 140,29	€ 171,15
59101-0009	1	THROTTLE REEL	R21.4/60DEG	ZX1000E	€ 126,26	€ 154,04
54012-0570	2	CABLE-THROTTL	good for open and close	ZX1000J	€ 24,41	€ 29,78
<b>FRONT BRAKE PAD</b>						
43082-0088	1	PAD-ASSY-BRAKE	shift timing indicator	ZX1000J	€ 73,84	€ 90,08
<b>OPTIONAL FRONT FORK SPRING</b>				chassis setting		
44026-0163	2	SPRING-FRONT	K=9.75N	ZX1000J	€ 45,56	€ 55,58
44026-0164	2	SPRING-FRONT	K=10.75N	ZX1000J	€ 45,56	€ 55,58
<b>ELECTRIC HARNESS</b>				to accommodate kit ECU in various manner		
26031-1219	1	HARNESS, MAIN		ZX1000J	€ 516,90	€ 630,62
11056-1243	1	BRACKET, CRASH SENSOR		ZX1000J	€ 28,71	€ 35,03
130BA0616	2	BOLT		MASS		
<b>OIL CATCH TANK (FITTING: see common parts)</b>						
52001-0553	1	TANK-OIL		ZX1000J	€ 218,25	€ 266,27
<b>ENGINE SPROCKET</b>						
13144-0021	1	SPROCKET-OUTP	#520-16T	ZX1000C		
13144-0022	1	SPROCKET-OUTP	#520-17T	ZX1000C		
92152-1522	1	COLLAR, SPROCKET		ZX1000J		
<b>FUEL INJECTION</b>				mapping programmable		
21175-0756	1	CONTROL UNIT-with CD		ZX1000J	€ 720,45	€ 878,95
26031-0999	1	HARNESS, INTERFACE	USB type	ZX1000J	€ 374,97	€ 457,46
<b>THROTTLE STOP SCREW</b>						
16021-0055	1	THROTTLE STOP SCREW	idle adjuster	ZX1000J	€ 5,87	€ 7,16
92172-0745	1	spare part to 16021-0055(screw knob)		ZX1001J	€ 0,97	€ 1,19
92172-0746	1	spare part to 16021-0055(optional screw knob)		ZX1000J	€ 14,78	€ 18,03